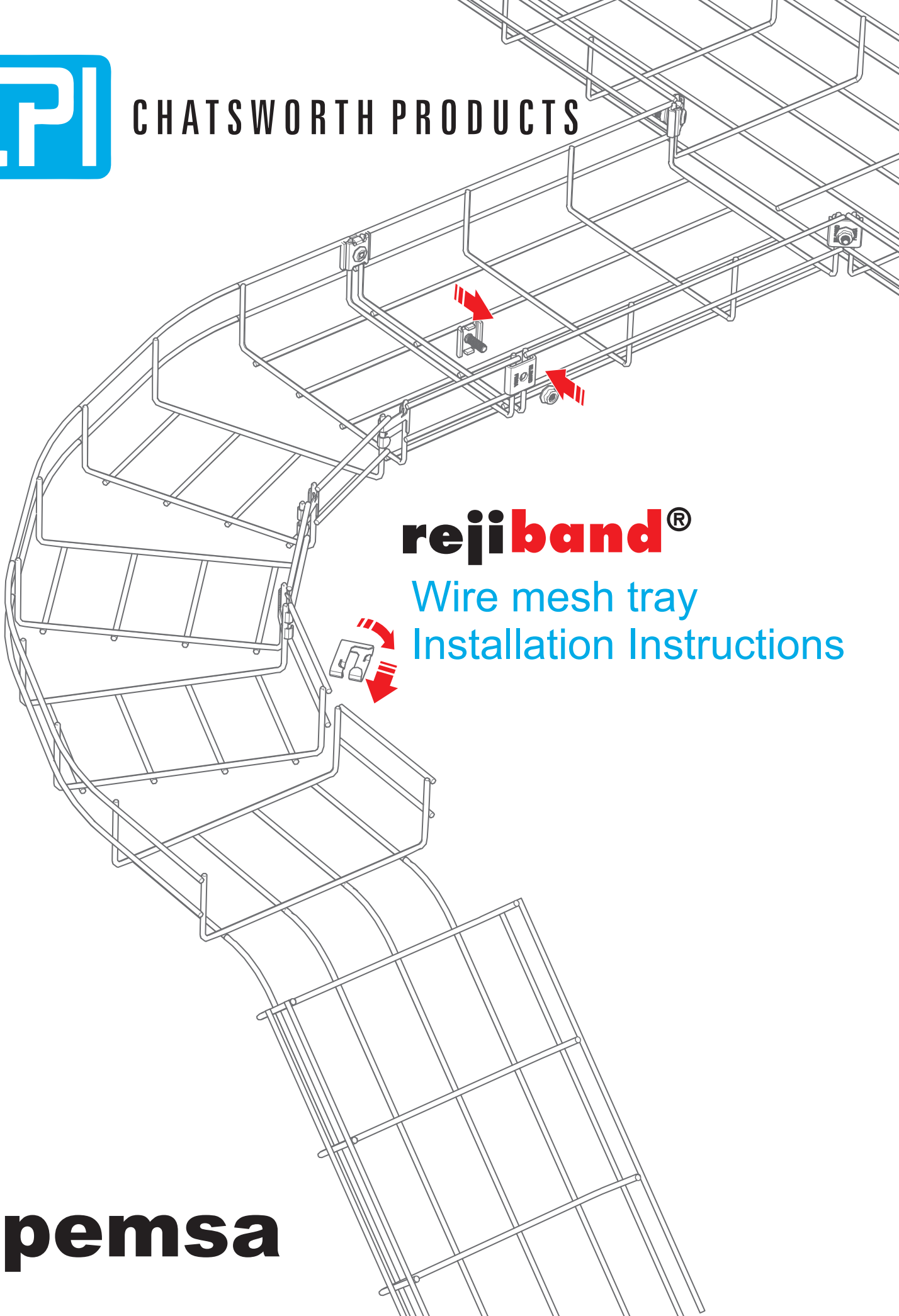




CHATSWORTH PRODUCTS



reji band[®]

Wire mesh tray

Installation Instructions

 **pemsa**



CHATSWORTH PRODUCTS



**Customer Service &
Technical Support**

US & Canada

+1-800-834-4969

Outside of US & Canada

+1-818-739-3400

Global offices:

Canada

Toronto, Ontario, Canada

+905-850-7770

Latin America

Mexico City, Mexico

+52-55-5203-7525

Toll Free within Mexico

01-800-01-7592

Europe

Buckinghamshire, England,
United Kingdom

+44-1628-524-834

Middle East & Africa

Dubai, United Arab Emirates









+971-4-260215

www.chatsworth.com

techsupport@chatsworth.com







Certifications and Compliance

	Cable Management – Cable Tray Systems and Cable Ladder Systems		UL® Certification
	CSA Mark		E90 Fire Resistance per DIN 4102-12
	Certification to Directive 2006/95/EC		RoHS 2002/95/CE
	NEMA VE-1		AENOR N Mark

Finishes and Materials

EZ	Electro-Zinc Plated EN ISO 2081	BLACK C8	High Resistance Coating Class C8 IEC 61537
-----------	---------------------------------	-----------------	--------------------------------------------

Cable tray features

	Height - Flange		Electrical Continuity per IEC61537
	Width		Quick Click Joint System

rejiband®

wire mesh tray


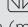


2" 4"
60 mm 100 mm

 2", 4"
60, 100 mm

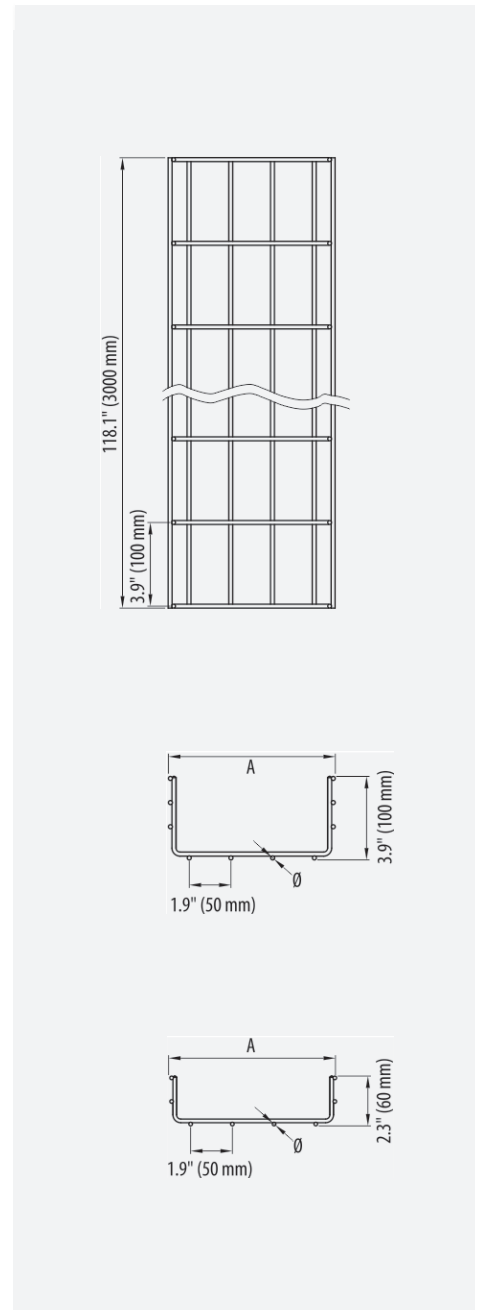
 4" - 24"
100-600 mm


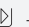
 118"
3000 mm





	 in (mm)	EZ	C8	 lb/kg
2" (60 mm)	4 (100)	60212100-003	60282100-003	6 (2.7)
	6 (150)	60212150-003	60282150-003	7 (3.1)
	8 (200)	60212200-003	60282200-003	9 (4.0)
	12 (300)	60212300-003	60282300-003	14 (6.3)
	18 (450)	60212450-003	60282450-003	18 (8.1)
	24 (600)	60212600-003	60282600-003	23 (10.4)
4" (100 mm)	4 (100)	60213100-003	60283100-003	9 (4.0)
	6 (150)	60213150-003	60283150-003	10 (4.5)
	8 (200)	60213200-003	60283200-003	14 (6.3)
	12 (300)	60213300-003	60283300-003	17 (7.7)
	18 (450)	60213450-003	60283450-003	22 (9.9)
	24 (600)	60213600-003	60283600-003	26 (11.7)
		64010061-050 ☞☞ 14	64080061-050 ☞☞ 14	

Notes: Sold individually. Each tray is 118" (3m).
Hot-Dipped Galvanized and Stainless Steel finishes are also available with an extended lead time. Please contact CPI Technical Support for additional information.



Rejiband® Series 60  X  - in. (mm)	Cross sectional area in ² (mm ²)	Steel in finishes EZ and Black C8		
		Load Rating lb./ft. (kg/m) Span of 5 ft. (1.5 m)	Class Designation (NEMA VE-1)	
			USA	Canada
2" x 4" (60x100)	6.9 (4.420)	38.08 (56.66)	5AA	-
2" x 6" (60x150)	10.5 (6.783)	38.08 (56.66)	5AA	-
2" x 8" (60x200)	14.5 (9.333)	38.08 (56.66)	5AA	-
2" x 12" (60x300)	21.8 (14.050)	65.28 (97.14)	5A	-
2" x 18" (60x450)	33.3 (21.500)	65.28 (97.14)	5A	-
2" x 24" (60x600)	45.0 (29.050)	72.08 (107.26)	5A	A

Rejiband® Series 100  X  - in. (mm)	Cross sectional area in ² (mm ²)	Steel in finishes EZ and Black C8		
		Load Rating lb./ft. (kg/m) Span of 5 ft. (1.5 m)	Class Designation (NEMA VE-1)	
			USA	Canada
4" x 4" (100x100)	11.6 (7.462)	44.88 (66.79)	5AA	-
4" x 6" (100x150)	17.9 (11.562)	44.88 (66.79)	5AA	-
4" x 8" (100x200)	25.2 (16.290)	44.88 (66.79)	5AA	-
4" x 12" (100x300)	39.2 (25.290)	85.68 (127.50)	5A	A
4" x 18" (100x450)	59.8 (38.580)	78.88 (117.38)	5A	A
4" x 24" (100x600)	81.0 (52.290)	78.88 (117.38)	5A	A

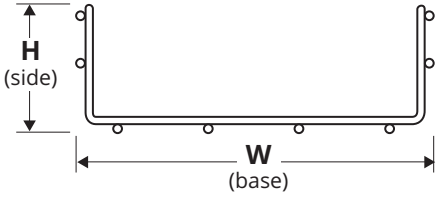
Note: For cable fill recommendations, download the CPI Cable Fill Table at www.chatsworth.com/cablefill/



wire mesh tray

pemsa rejiband INSTALLATION INSTRUCTIONS

Dimensions



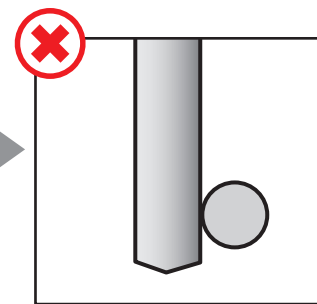
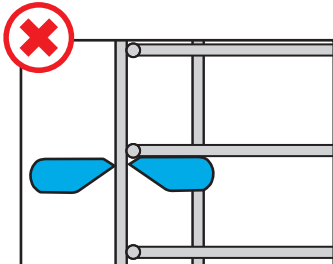
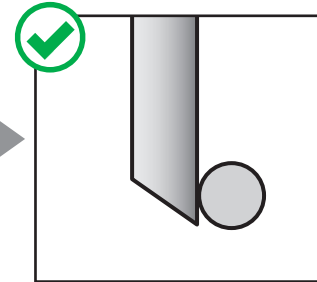
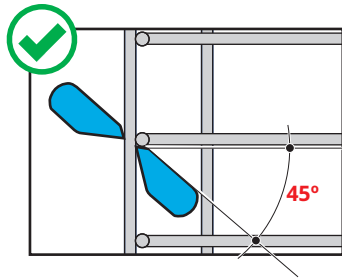
H	W					
	4"	6"	8"	12"	18"	24"
2"	✓	✓	✓	✓	✓	✓
4"	✓	✓	✓	✓	✓	✓

Note: Standard length is 118"

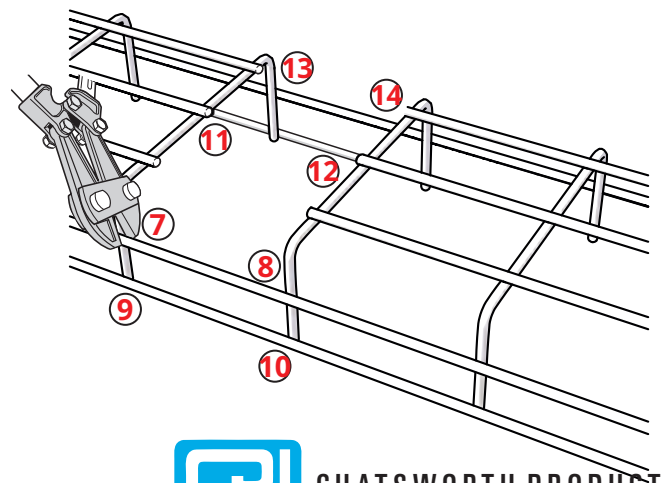
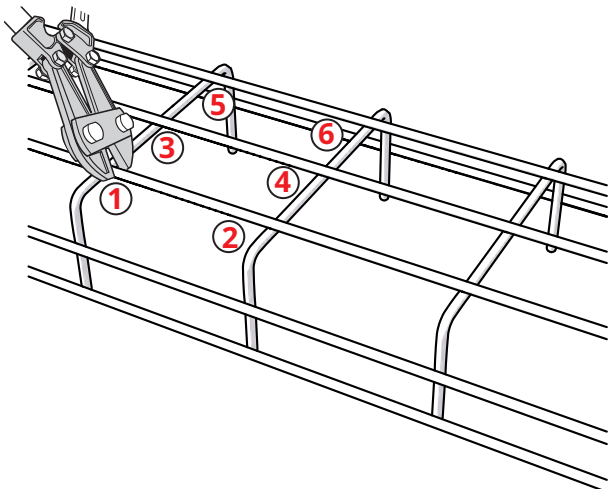
Cutting of wires



Part N. 68000058-001



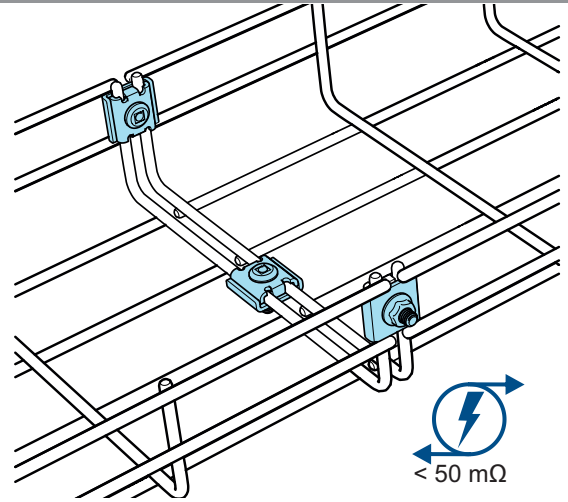
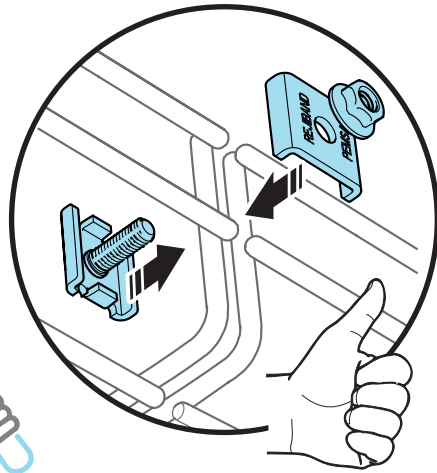
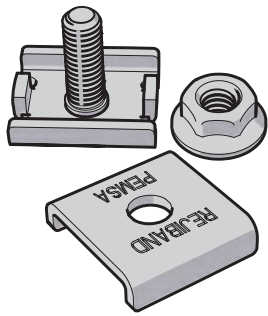
Cutting order



Refer to page 15 for product part numbers and finishes

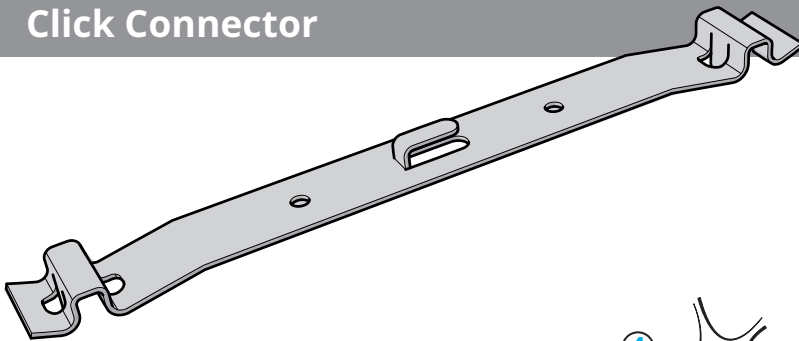


Reinforced Joint Clamp

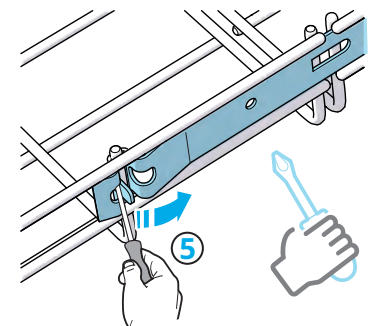
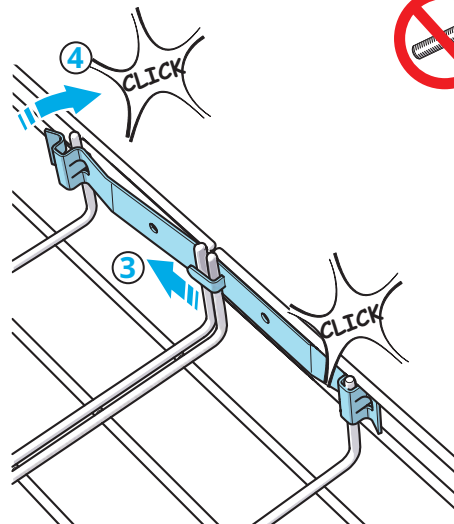
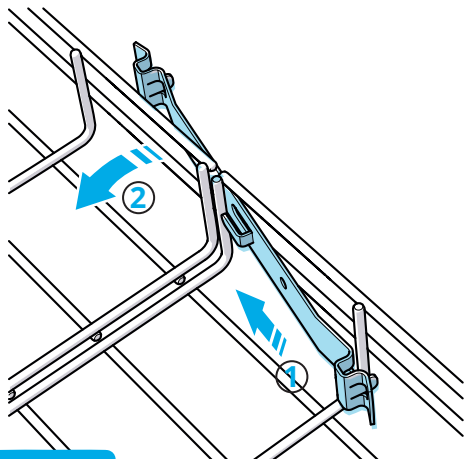


H	W	Hardware Quantities	
		Sides	Base
2"	4"-6"	2	0
	8"-18"	2	1
	24"	2	2
4"	4"-12"	2	1
	18"-24"	4	2

Click Connector

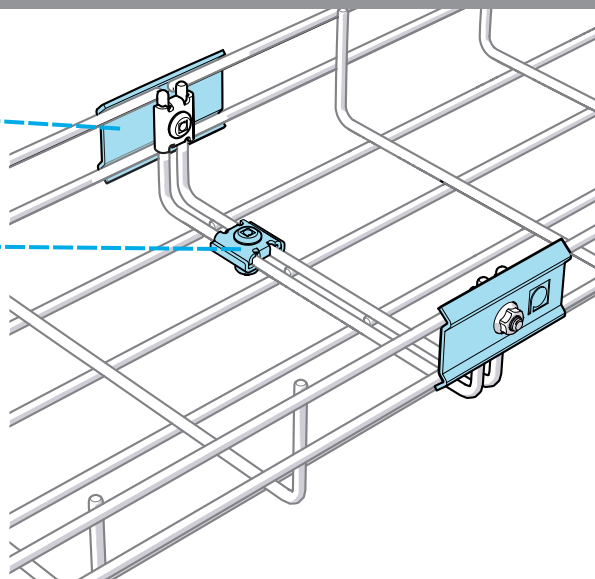
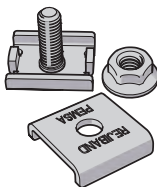
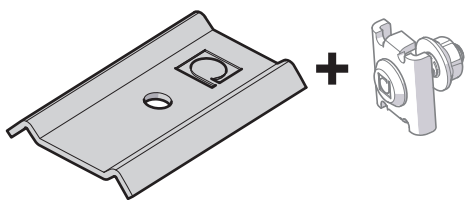


H	W	Hardware Quantities	
		Sides	Base
2"-4"	4"-8"	2	0
	12"-24"	2	1





Side Joint Plate



Hardware Quantities

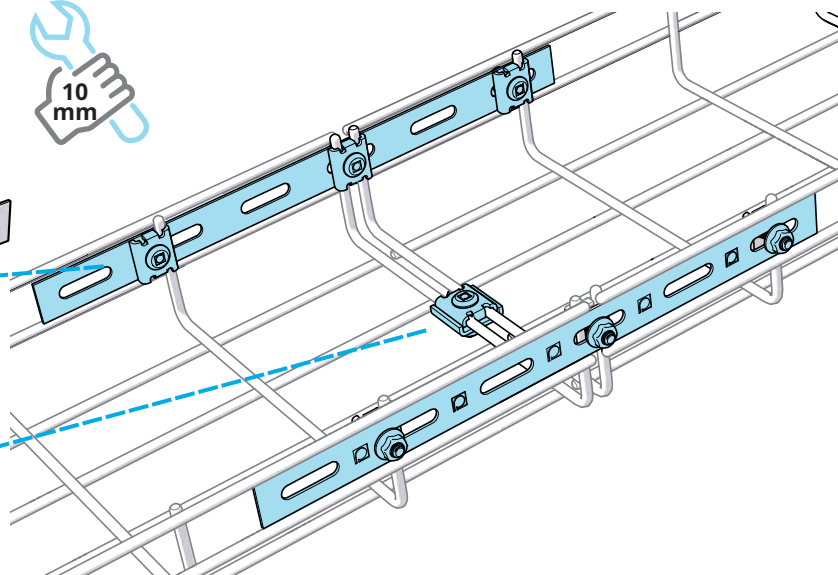
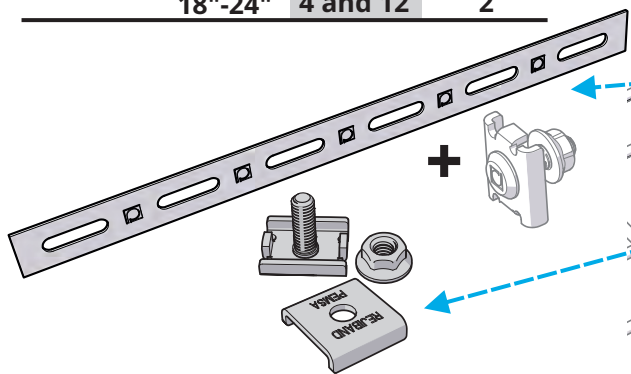
H	W	Sides	Base
2"	4"-8"	2 and 2	0
	12"	2 and 2	1
	18"-24"	2 and 2	2
4"	4"-12"	2 and 2	1
	18"-24"	4 and 4	2



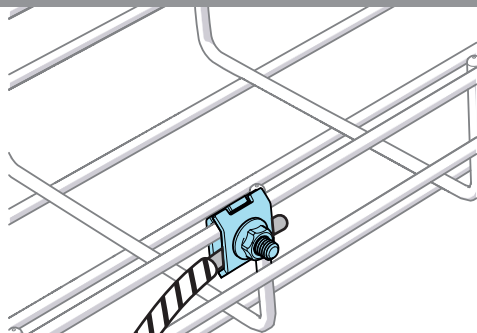
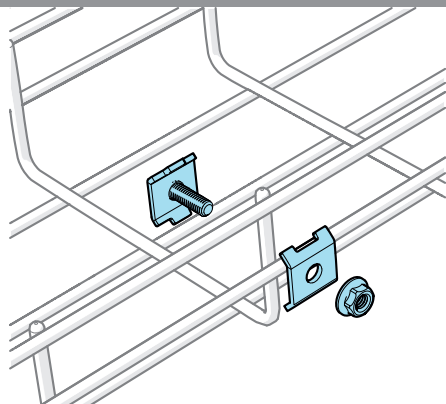
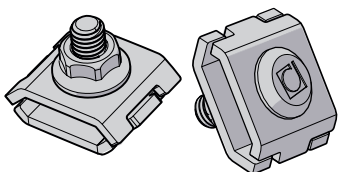
Splice Plate

Hardware Quantities

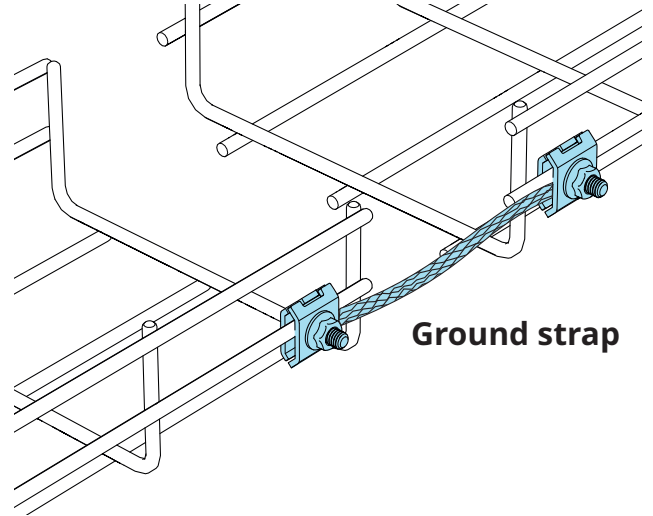
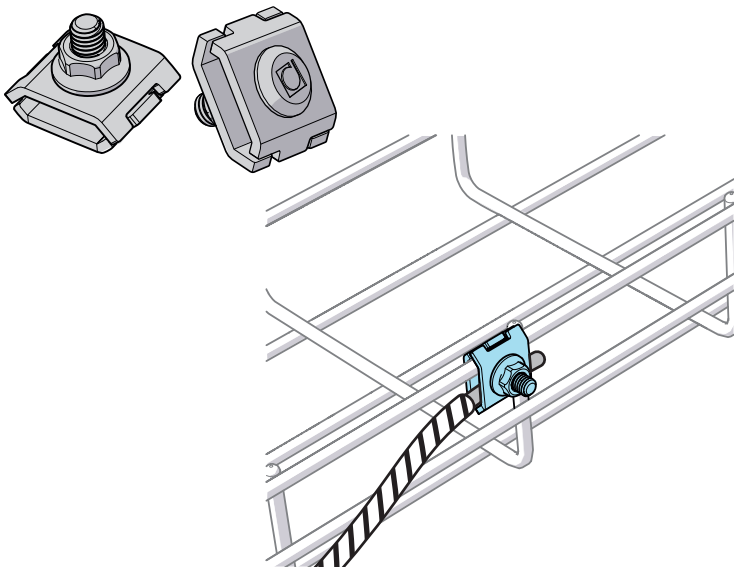
H	W	Sides	Base
2"	4"-8"	2 and 6	0
	12"	2 and 6	1
	18"-24"	2 and 6	2
4"	4"-12"	2 and 6	1
	18"-24"	4 and 12	2



Grounding Connector

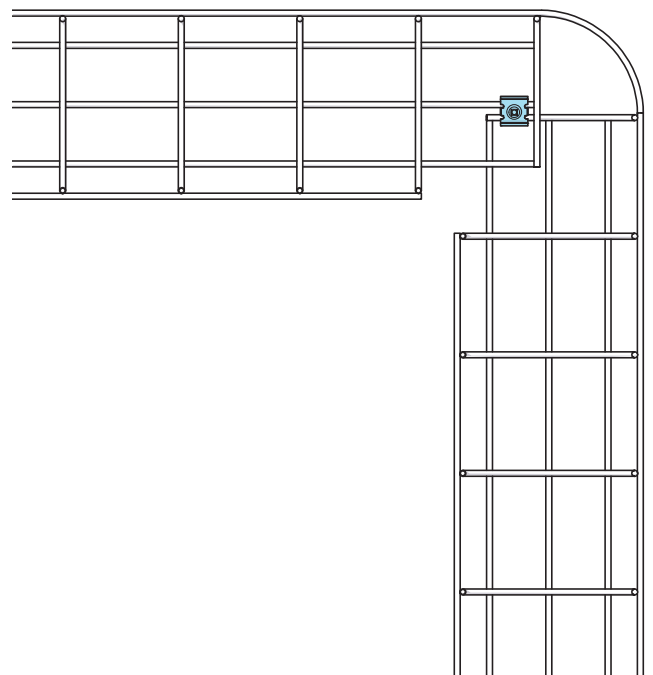
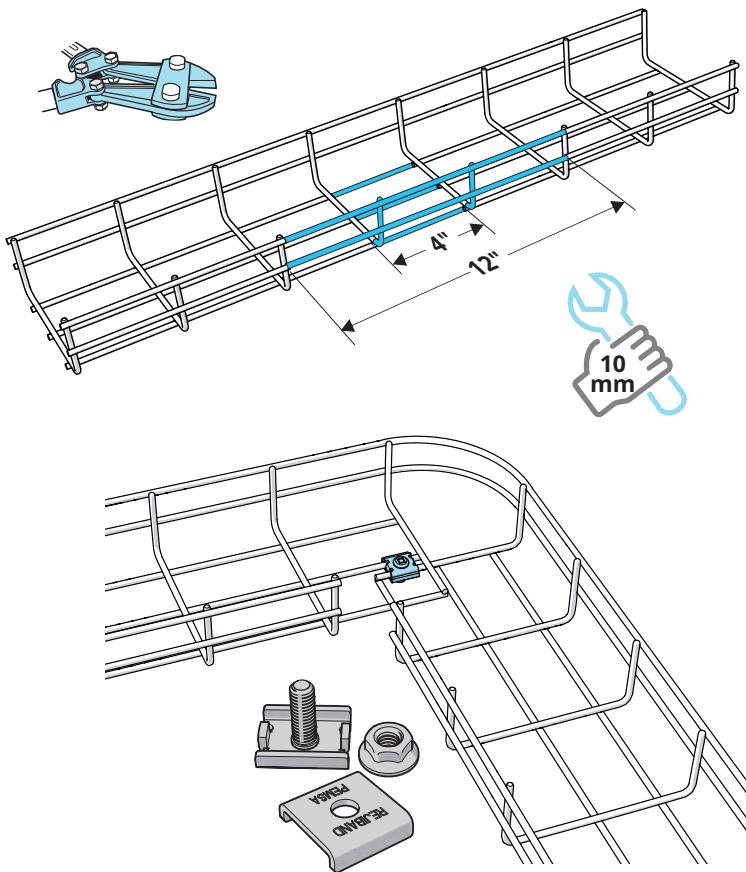


Types of Bonding Connection



Making a 90° Bend

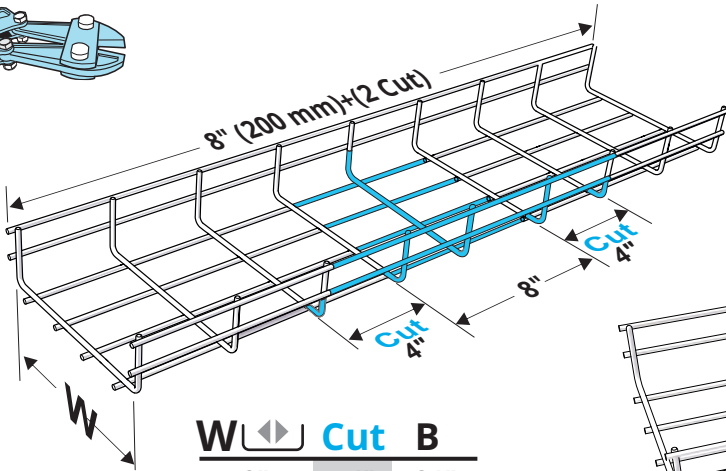
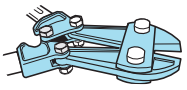
 4" - 6"



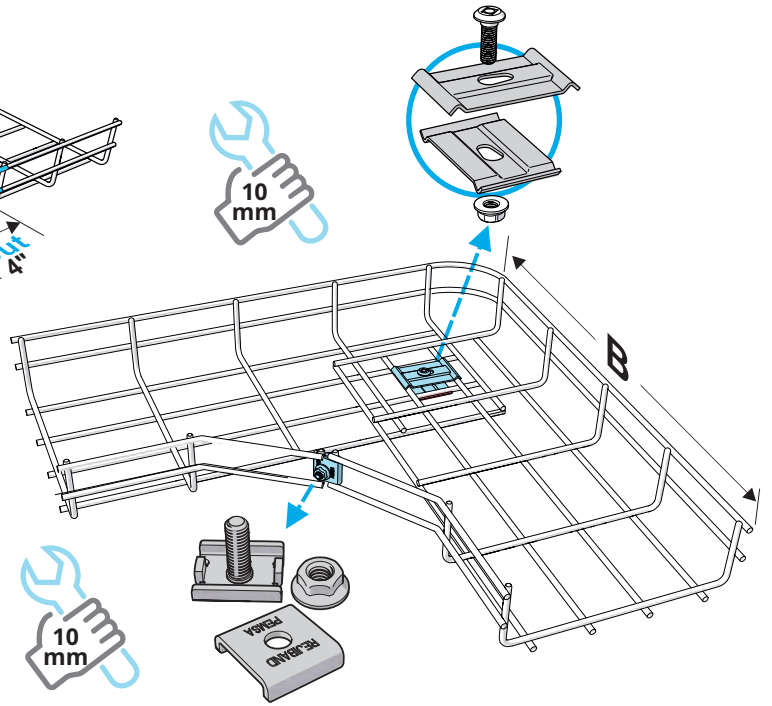


Making a 90° Bend

8" - 24"

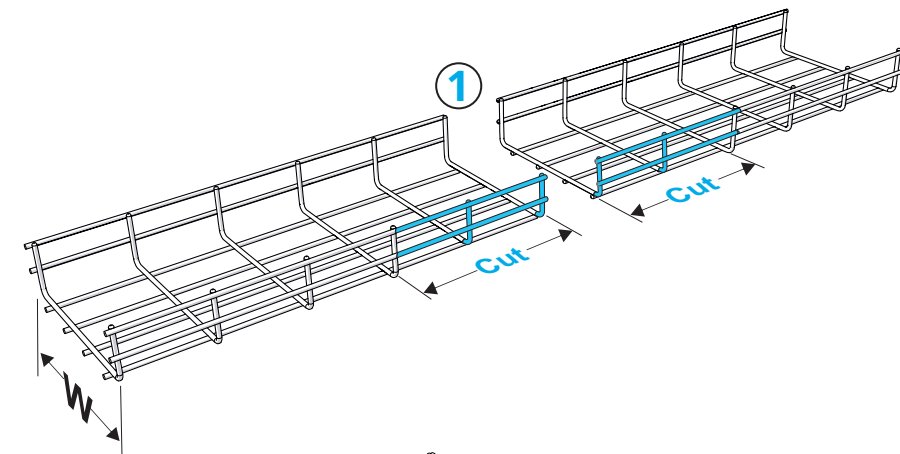


W	Cut	B
8"	4"	21"
12"	8"	25"
18"	12"	33"
37"	24"	20"

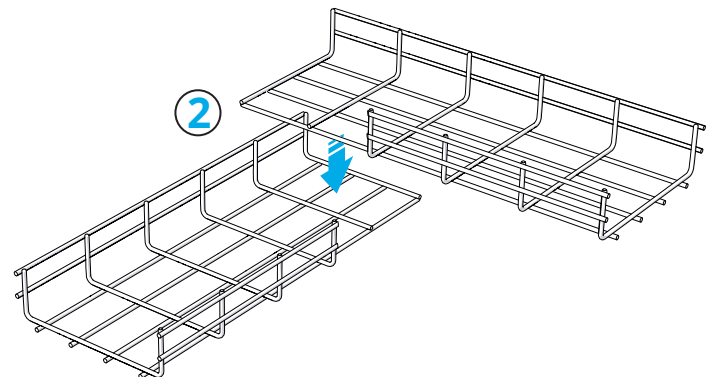
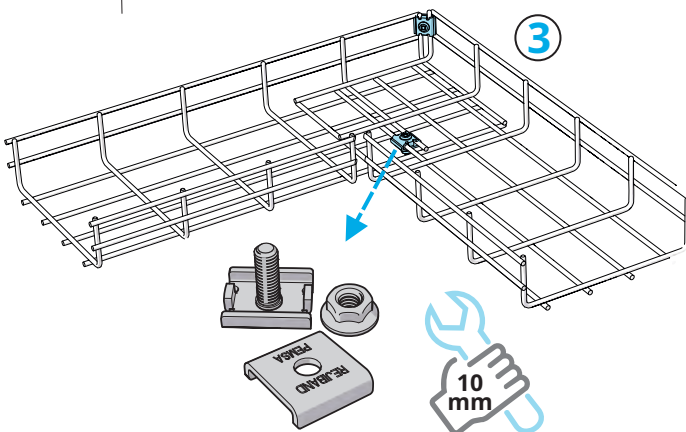


Making a 90° Bend


4" - 24"

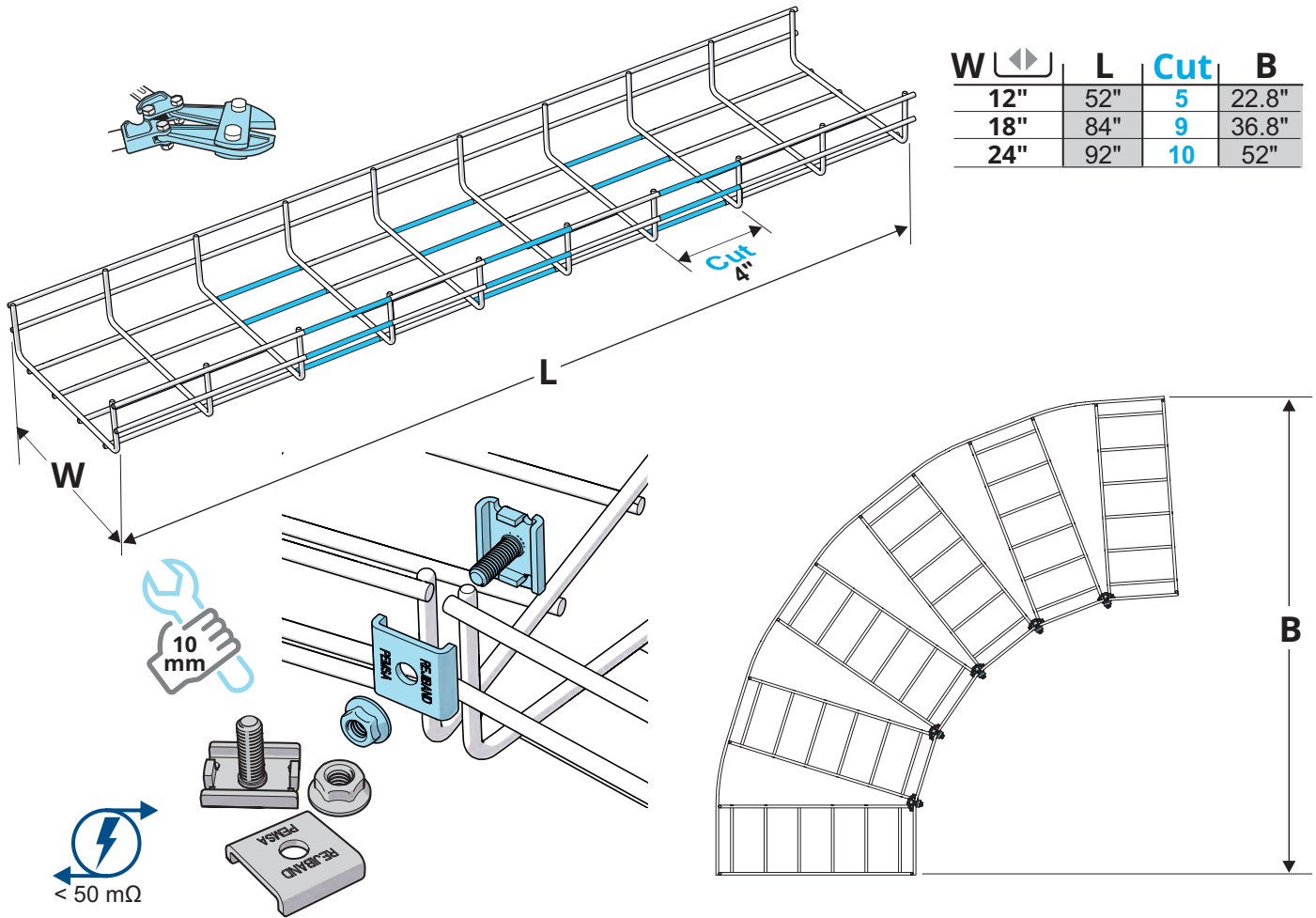


W	Cut
4"	4"
8"	8"
12"	12"
18"	20"
24"	24"



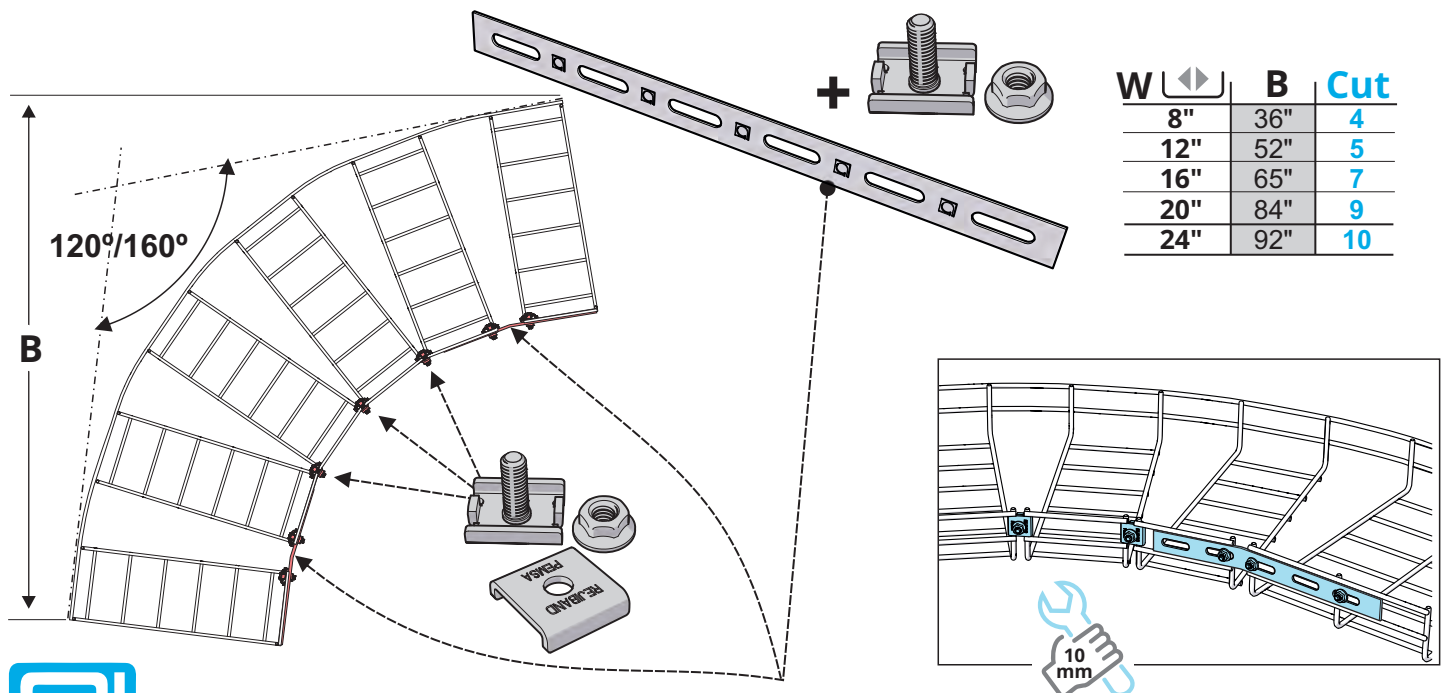
Making a 90° Bend

 12" - 24"



Making a 120°-160° Bend

 8" - 24"





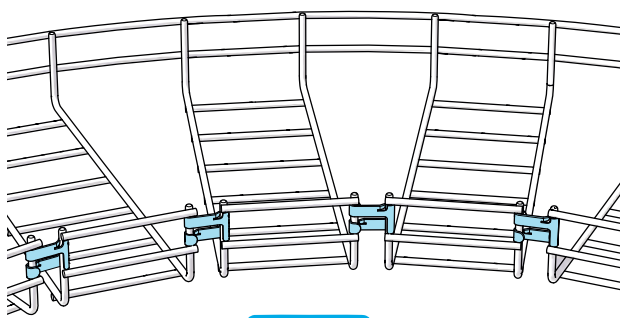
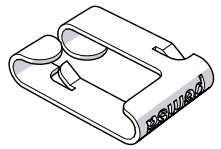
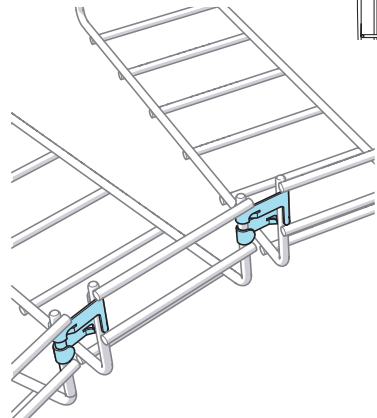
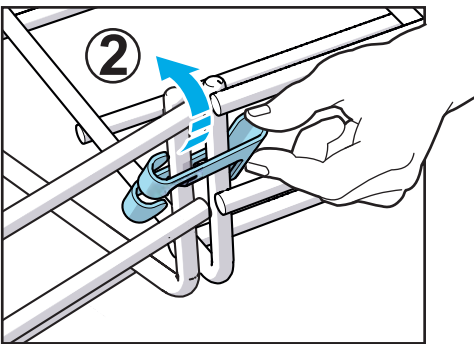
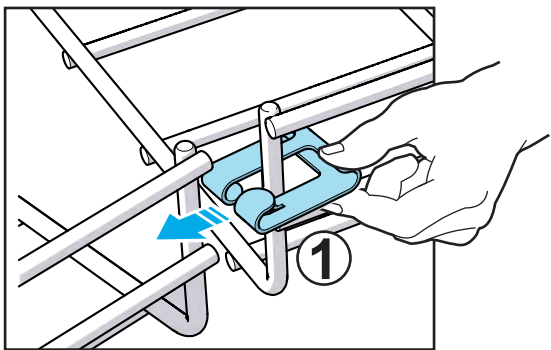
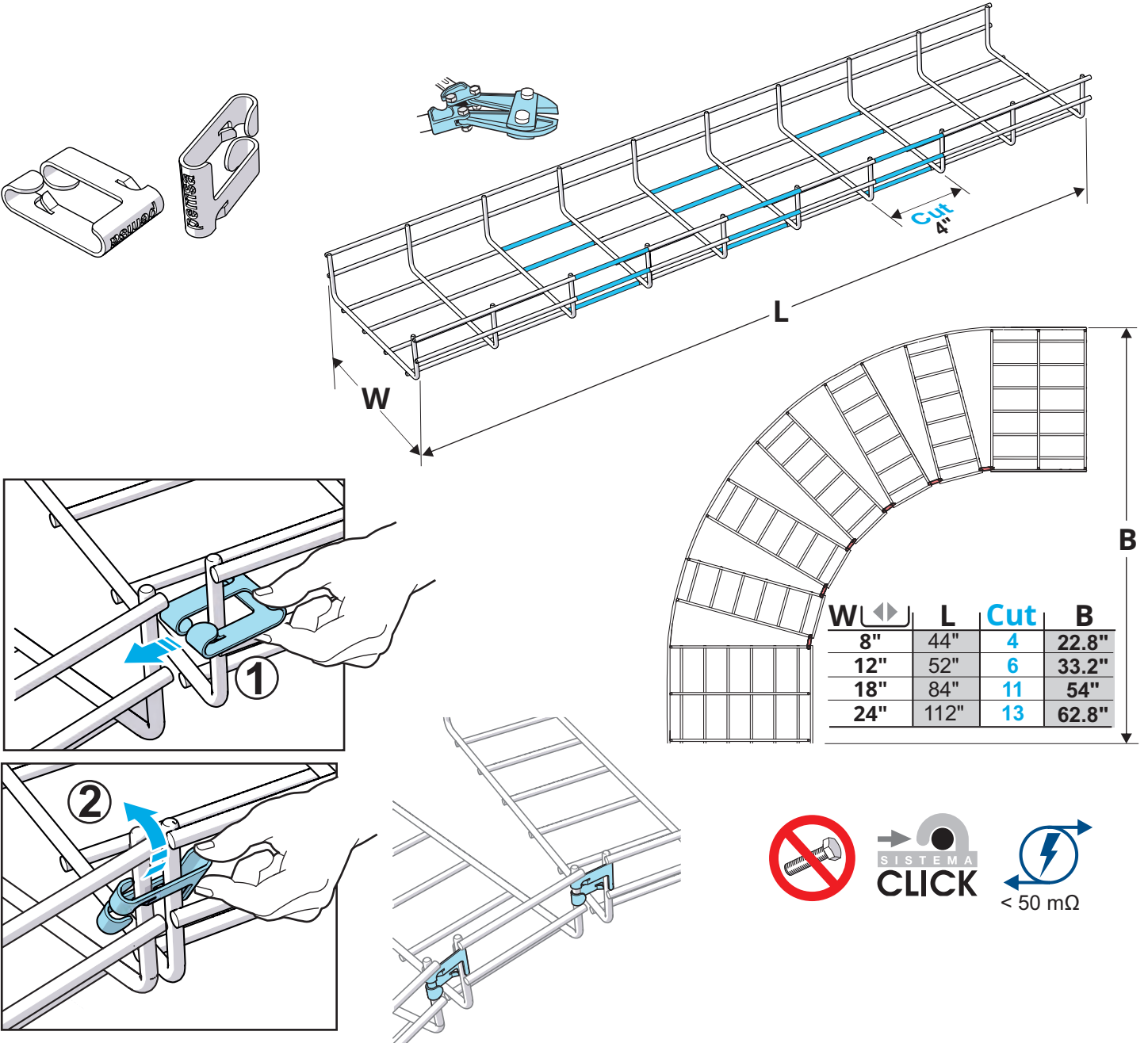
wire mesh tray

pemsa rejiband

INSTALLATION INSTRUCTIONS

Making 90° Bend

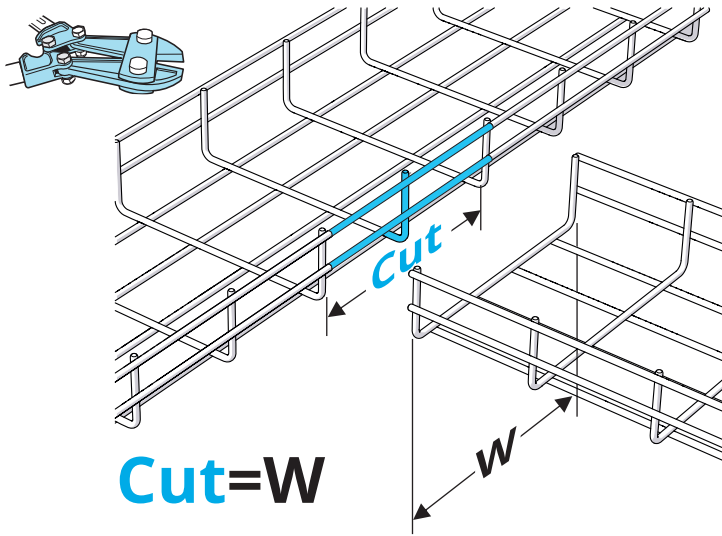
◀▶ 12" - 24"



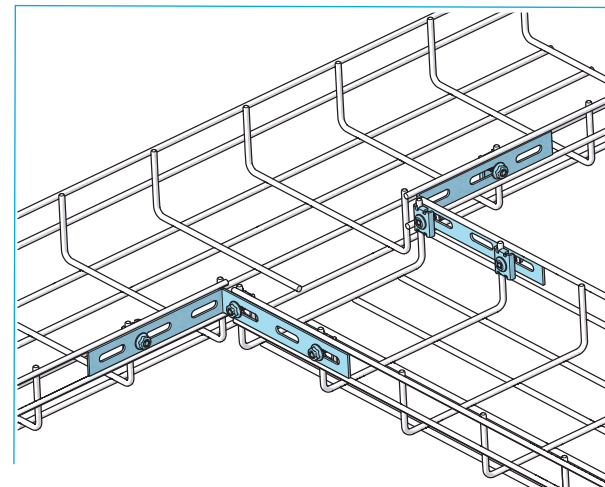
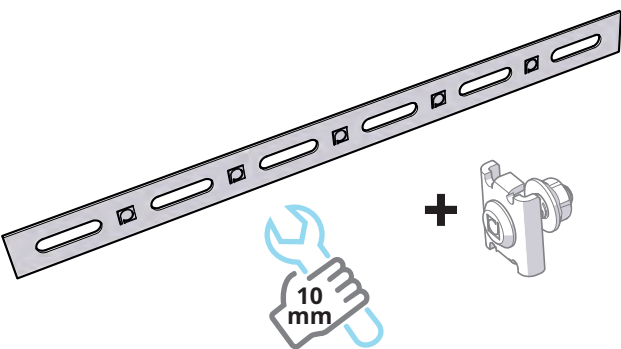
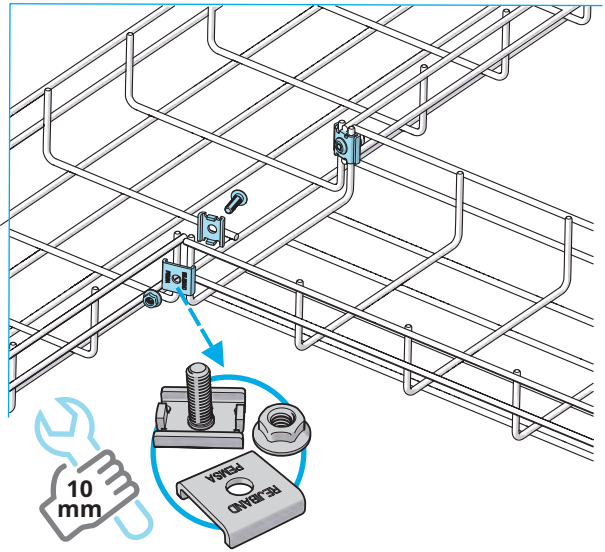
CHATSWORTH PRODUCTS

Refer to page 15 for product part numbers and finishes

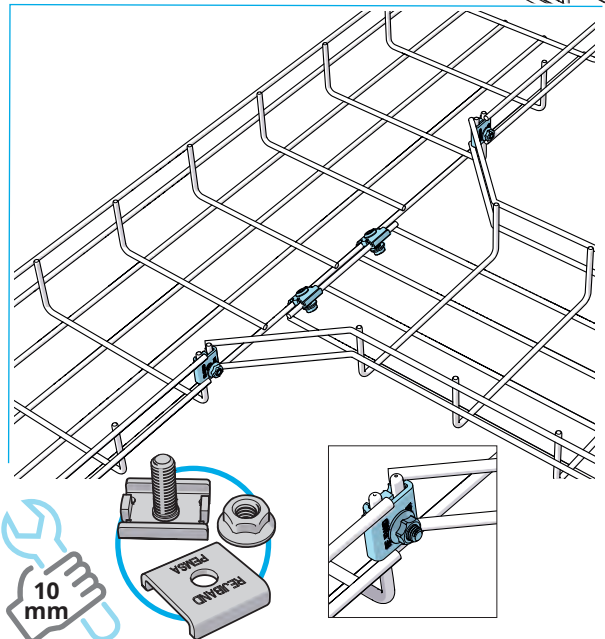
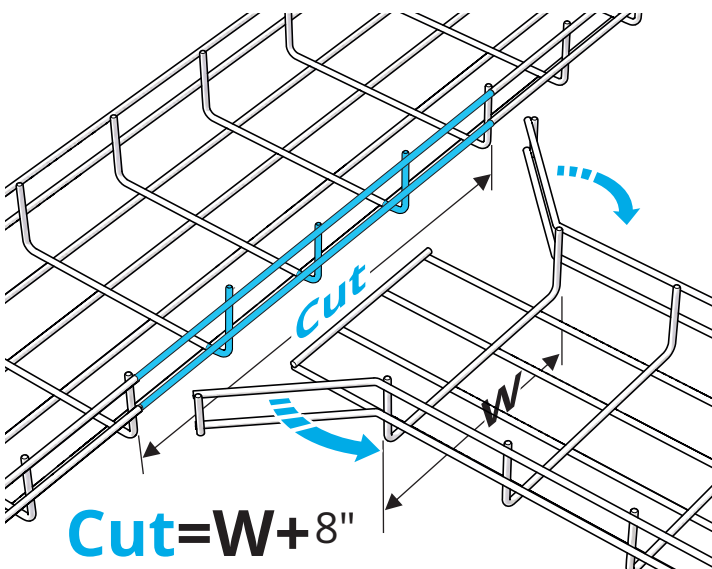
Making T-Joints



Reinforced T-Joints

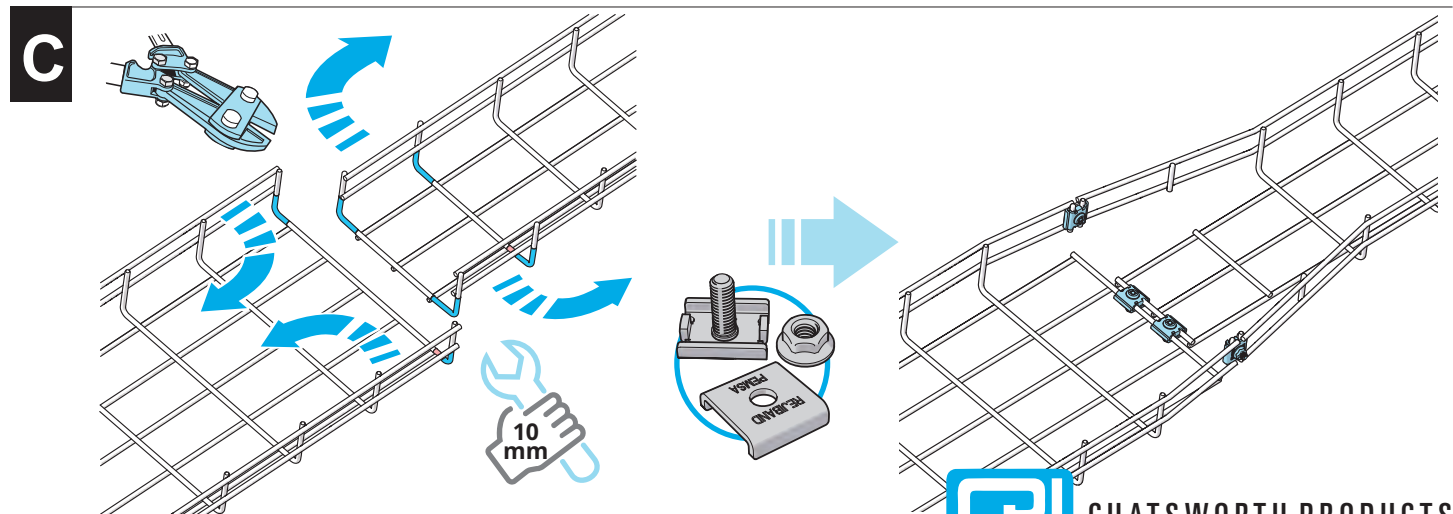
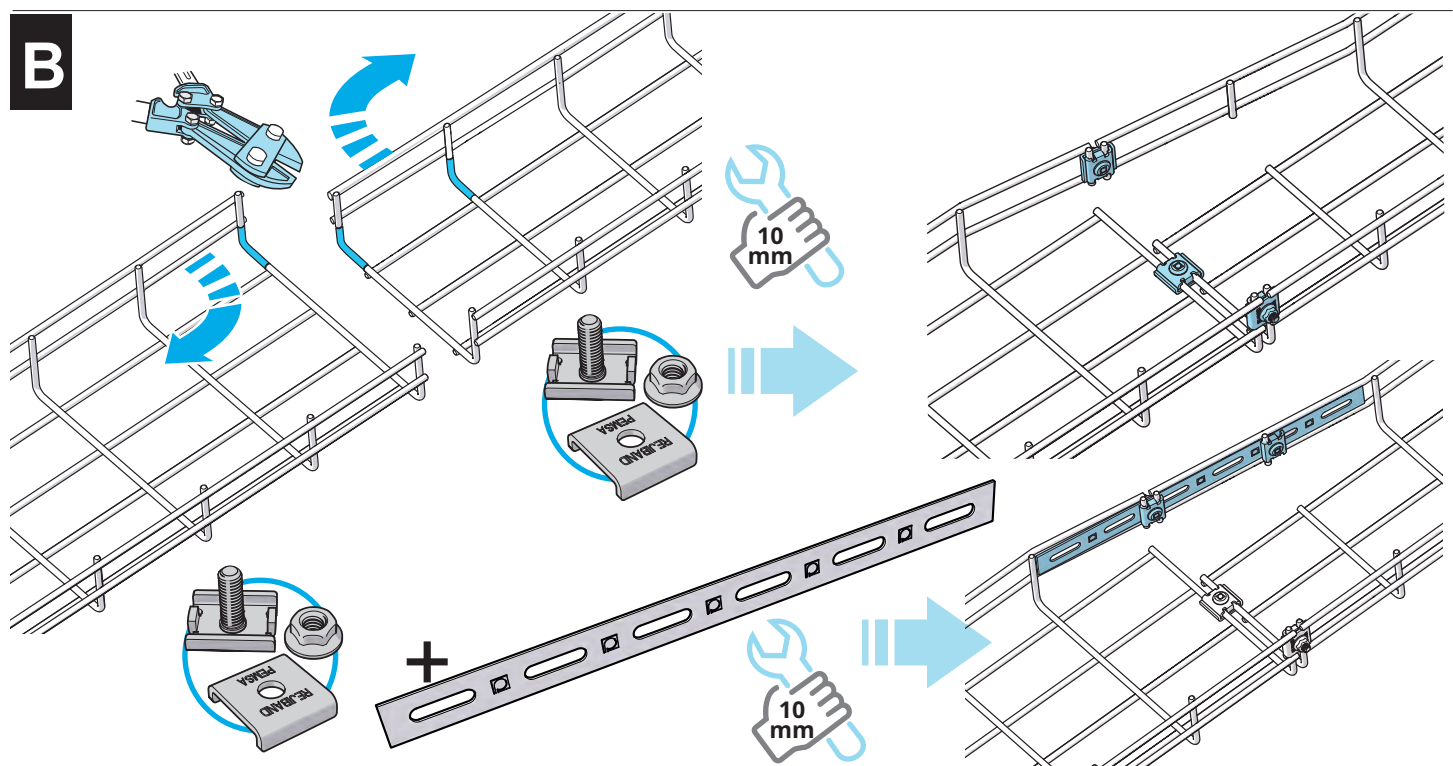
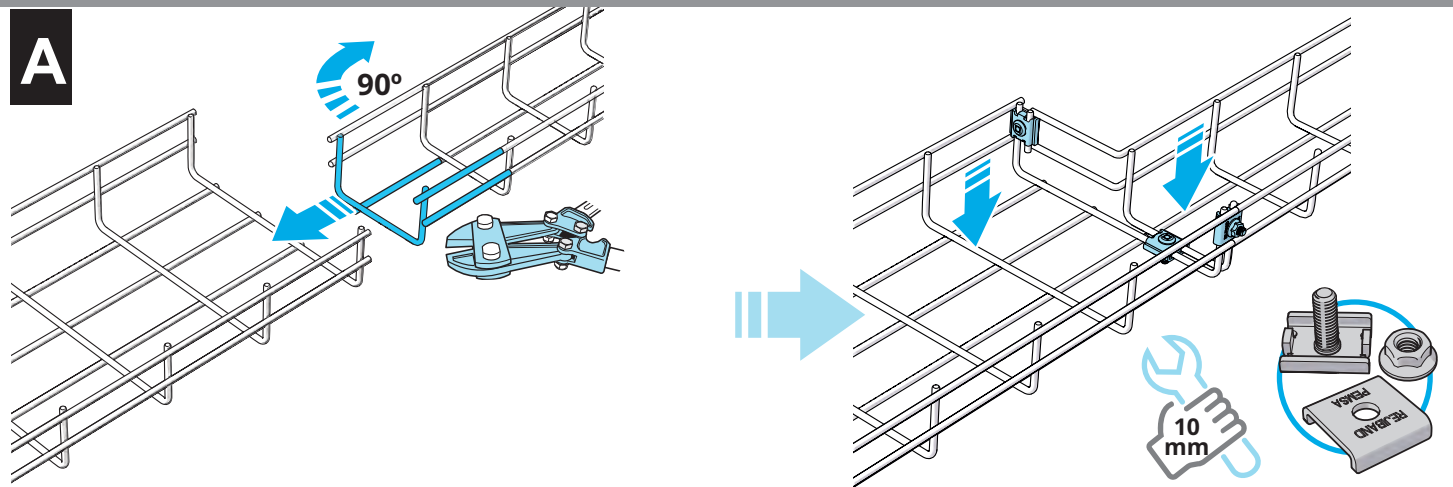


Smooth T-Joints



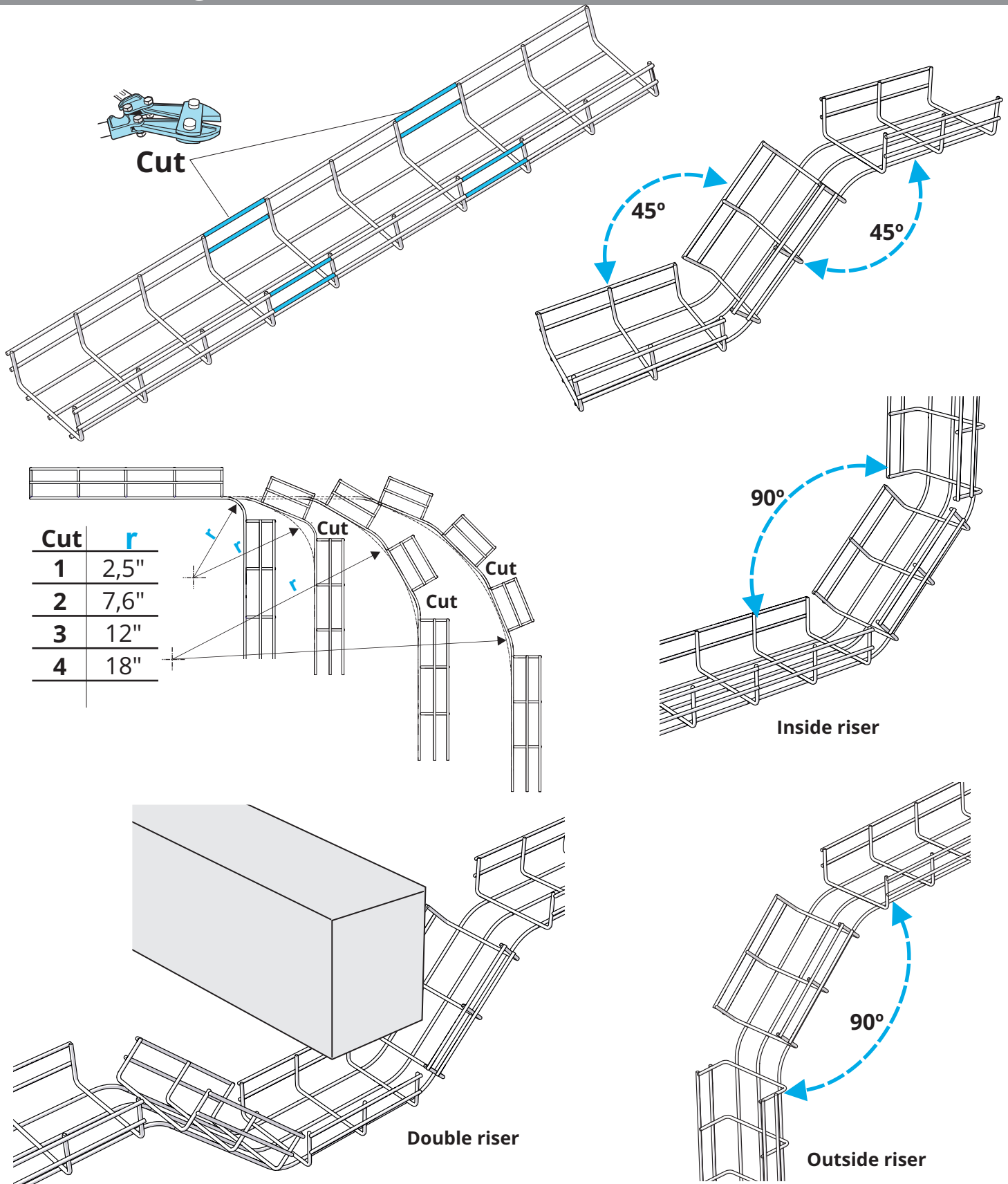


Width Transitions



Refer to page 15 for product part numbers and finishes

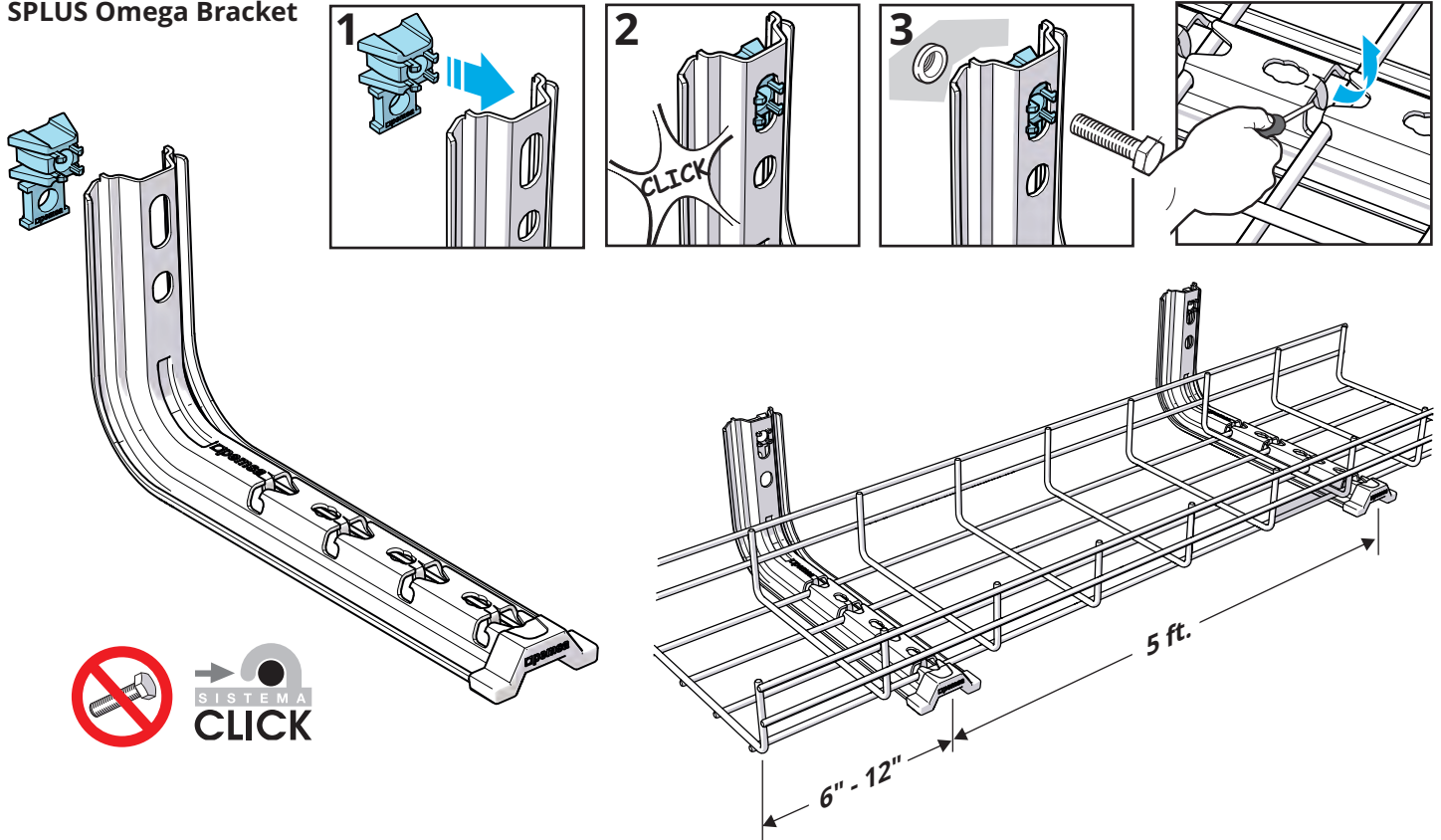
Elevation changes



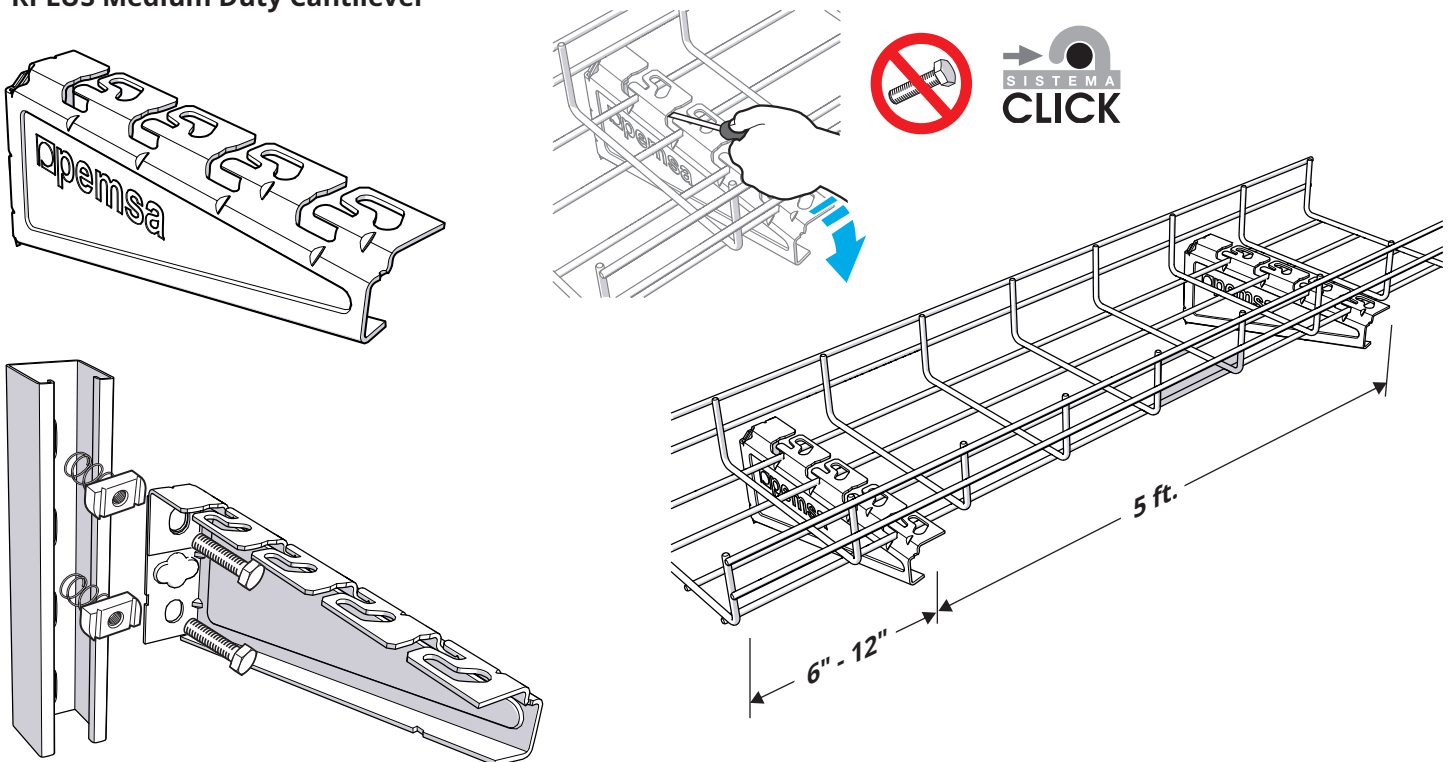


Support System

SPLUS Omega Bracket

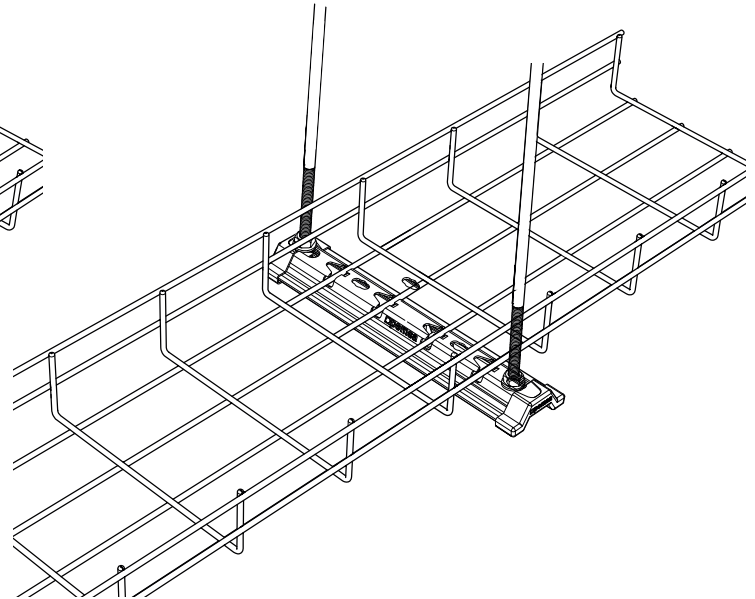
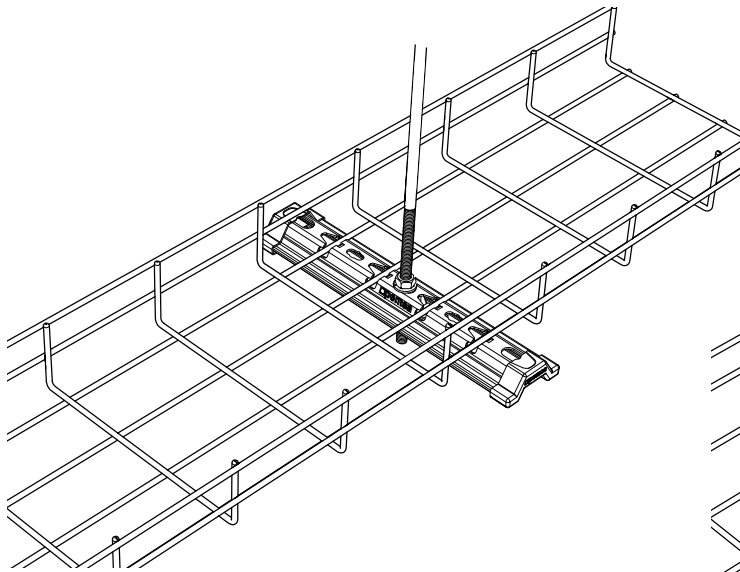
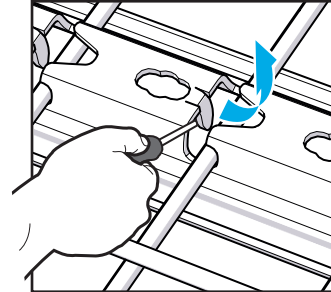
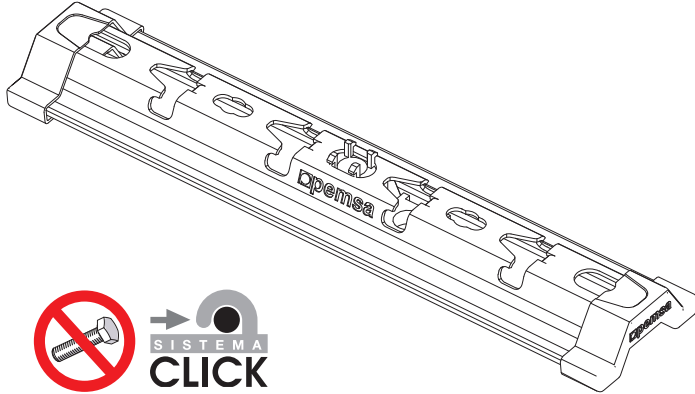


RPLUS Medium Duty Cantilever

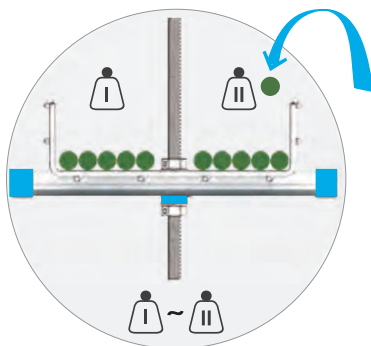


Support System

SPLUS Omega Channel



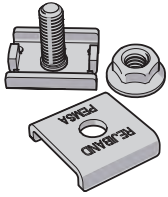
Installation of cables from the side





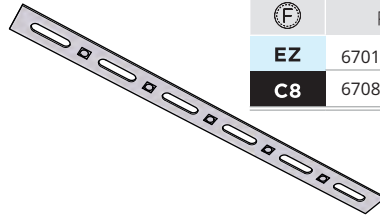
Required Accessories for Rejiband Assemblies (Part Numbers and Finishes)

Reinforced Joint Clamp



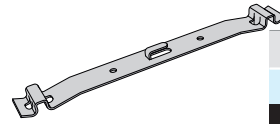
Finish	Ref
EZ	64010061-050
C8	64080061-050

Splice Plate



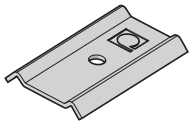
Finish	Ref
EZ	67010053-010
C8	67080053-010

Click Connector



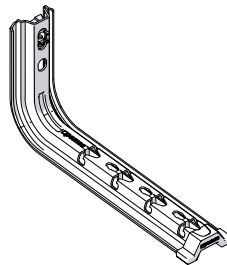
Finish	Ref
EZ	64010020-025
C8	64080030-025

Side Joint Plate



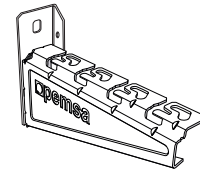
Finish	Ref
EZ	64010041-050
C8	64080041-050

SPLUS Omega Bracket



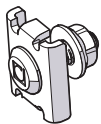
Finish	Ref
PG	62021104-005
	62021154-005
	62021204-005
	62021304-005
	62021404-005
C8	62081104-005
	62081154-005
	62081204-005
	62081404-005

RPLUS Medium Duty Cantilever



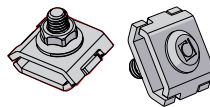
Finish	Ref
PG	62025103-004
	62025153-004
	62025203-004
	62025303-004
	62025403-004
	62025503-004
	62025603-004
C8	62085103-004
	62085153-004
	62085203-004
	62085303-004
	62085403-004
	62085503-004
	62085603-004

Part Clamp



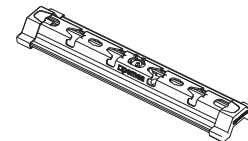
Finish	Ref
EZ	64010060-050
C8	64010060-050

Grounding Connector



Finish	Ref
LAT	68000032-020
LAT	68000033-020

SPLUS Omega Channel



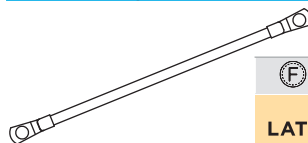
Finish	Ref
PG	63022104-010
	63022154-010
	63022204-010
	63022304-010
	63022404-010
	63022504-010
	63022604-010
C8	63082104-010
	63082154-010
	63082204-010
	63082304-010
	63082404-010
	63082504-010
63082604-010	

Fast Clip



Finish	Ref
EZ	64010072-050
C8	64080072-050

Ground Strap



Finish	Ref
LAT	68000036-010
LAT	68000037-010



CHATSWORTH PRODUCTS



**Customer Service &
Technical Support**

US & Canada

+1-800-834-4969

Outside of US & Canada

+1-818-739-3400

Global offices:

Canada

Toronto, Ontario, Canada

+905-850-7770

Latin America

Mexico City, Mexico

+52-55-5203-7525

Toll Free within Mexico

01-800-01-7592

Europe

Buckinghamshire, England,
United Kingdom

+44-1628-524-834

Middle East & Africa

Dubai, United Arab Emirates

+971-4-260215

www.chatsworth.com

techsupport@chatsworth.com