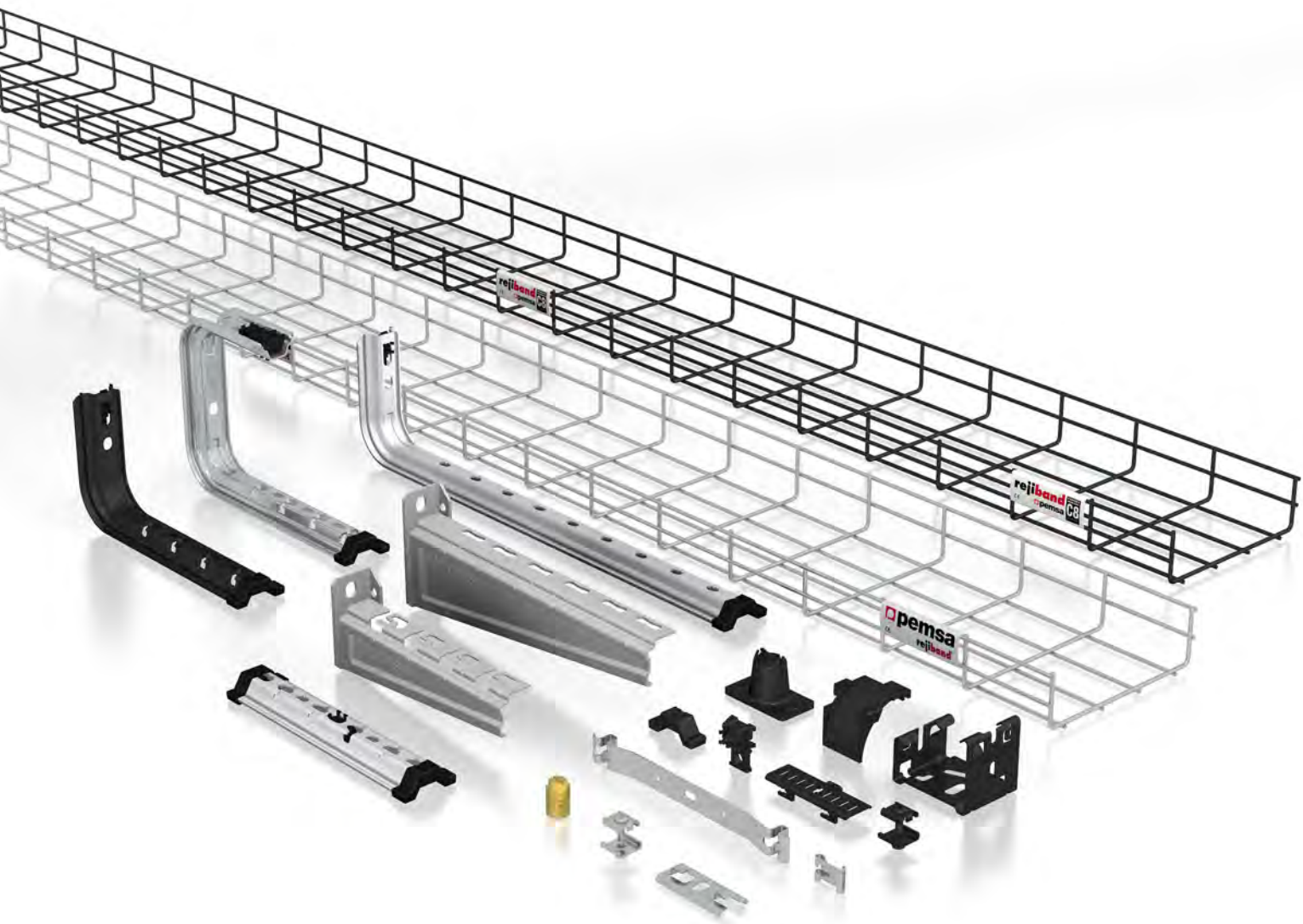




CHATSWORTH PRODUCTS




 **pensa**





**1** Cable Management System, Supports and Accessories

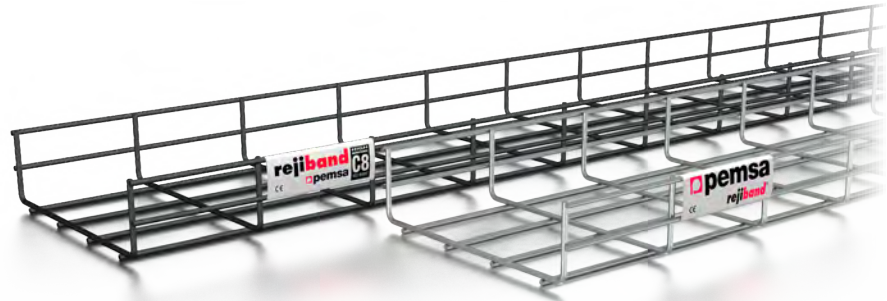
1.0	Selection Guide	4-5
	Protective Finishes for Cable Tray Systems	6
1.1	 <b>reji band®</b> Electrowelded Wire Mesh Cable Tray	7-12
1.2	<b>accessories</b>	13
	Reinforced Joint Clamp	14
	Click Connector	14
	Side Joint Plate	14
	Part Clamp	14
	Fast Clip	16
	Splice Plate	16
	Central Hanging Plate	16
	Grounding Connector	16
	Ground Strap	16
	Divider Kit	18
	Accessory Clamp Hardware Kit	18
	Cutting Tool	18
	Wire End Cap	18
	Touch-Up Paint	18
	Light-Duty Ceiling Support	20
	Lighting and Box Support	20
	Mini Universal Bracket	20
	Universal Bracket	20
	Cable Tie Clip	20
	Hook and Loop Cable Tie Roll	22
	Identification Plate	22
	Data Outlet	22
	Radius Drop	22
	Conduit Gland Bracket	22
	Click Central Hanging Plate	24
	Elevation Kit	24
	Combination Elevation Kit for CPI Cable Runway	24
	Support Foot	24

**2** Supports, Channels and Structures

2.1	 <b>Support System</b>	27
	Technical Information	28-29
	SPLUS Omega Bracket	30
	SPLUS Omega Ceiling Bracket	30
	RPLUS Medium Duty Cantilever Bracket	32
	SPLUS Omega Channel	34
	SPLUS Omega Pendant	36
	Wall Angle Support Kit	36
2.2	Symbols and Definitions	38



Cable Tray and Support System Selection Guide

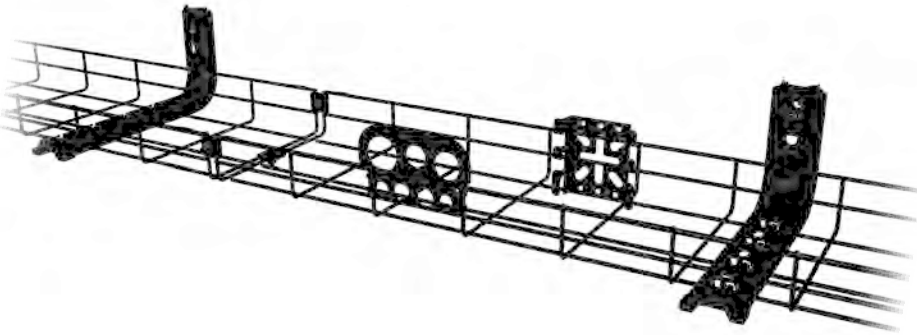


Cable Tray System

	rejiBand®	rejiBand® BLACK C8
<b>Features</b>		
	Carbon steel	
<b>EZ</b>	●	
<b>C8</b>		●
in (mm)	2 / 4 (60/100)	
in (mm)	4 - 24 (100 - 600)	
	-90C/+150C (-58F/+302F)	
lb/ft N/m		
	A1 / E90	A1
<b>Certifications</b>		
<b>Applications</b>		
Buildings	●	●
Data Center	●	●
Photovoltaic/Energy		●
Tunnels		●
Food Industry		●
Pharmaceutical		●
	11	11

Note: Hot-Dipped Galvanized and Stainless Steel finishes are also available with an extended lead time. Please contact CPI Technical Support for additional information.

Cable Tray and Supports System Selection Guide



Supports Systems

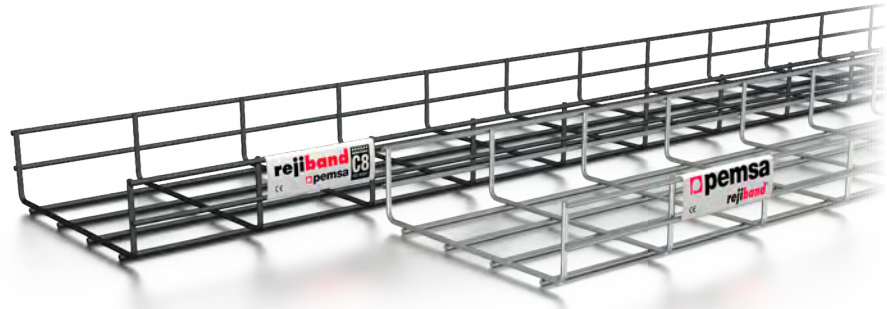
Wall Bracket Omega SPLUS	Ceiling Bracket Omega SPLUS	Channel Omega SPLUS	Med. Duty Cantilever RPLUS	Wall Bracket Wall-Angle Support Kits	Top of Cabinet/Rack Rack Elevation Kits	
Features						
Carbon steel						
•	•	•	•			<b>PG</b>
•	•	•	•			<b>EZ</b>
				•		<b>C8</b>
				•	•	Painted, Metallic Gray
					•	Painted, Black
					•	Painted, Glacier White
4 - 16 (100-400)				4 - 24 (100-600)		in (mm)
-50C/+150C (-58F/+302F)						
						lb/ft N/m
A1 / E90	A1 / E90	A1 / E90	A1 / E90	A1		
Certifications						
Applications						
•			•	•		
•			•	•		
	•					
		•				
•	•		•			
		•			•	
32	32	34	32	36	24	

Assembly Wall Wall with channel Ceiling Ceiling with threaded rods Ceiling with pendant Top of rack Floor installation

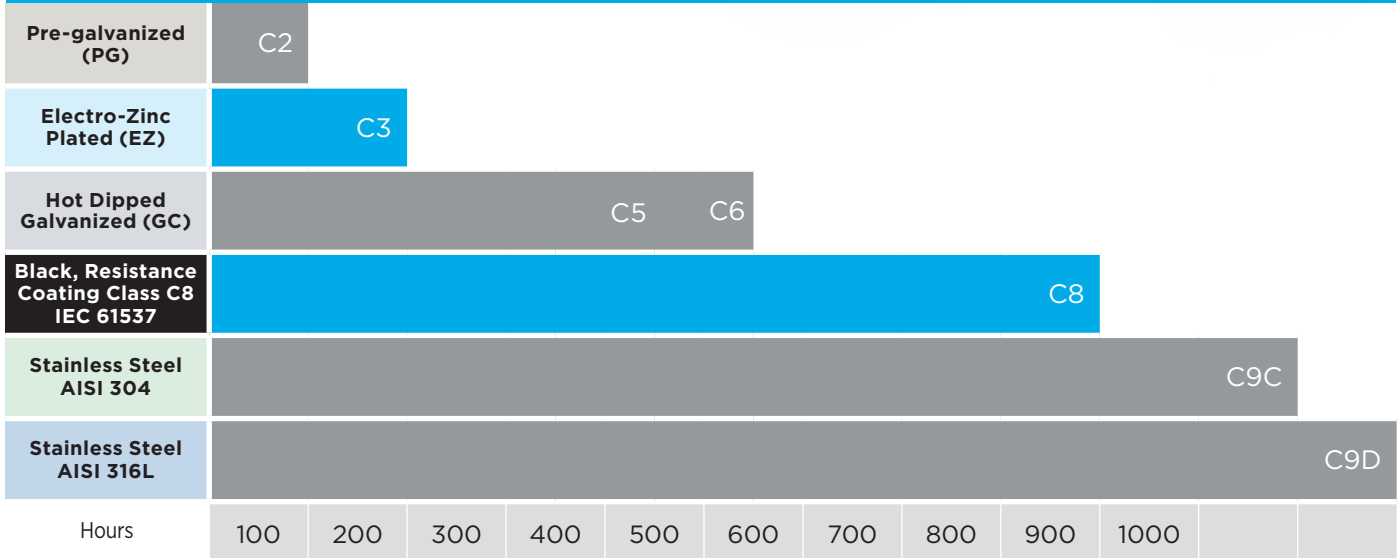
Note: Hot-Dipped Galvanized and Stainless Steel finishes are also available with an extended lead time. Please contact CPI Technical Support for additional information.



Protective Finishes for Cable Tray Systems



Resistance class finishes according to IEC 61537



Note: This chart compares the hours of testing per IEC 61537 performed on each type of finish and the relative performance of the various finishes. Each hour of salt spray testing represents roughly a week (168 hours) of exposure in a harsh environment.

Finishes, by class of resistance, for applications or sectors

	International Standards	ASTM Standards	Class IEC61537	Test Hours								
Pre-galvanized (PG)	EN 10346	ASTM A 653	C2	>96	●							
Electro-Zinc Plated (EZ)	EN-ISO 2081	ASTM B 633	C3	>190	●	●						
Hot Dipped Galvanized (GC)	EN-ISO 1461	ASTM A 123	C5-C7	>450->660	●		●	●	●	●	●	●
Black, Resistance Coating Class C8 IEC 61537	EN-ISO 2081	ASTM B 633	C8	850	●	●	●	●	●	●		
Stainless Steel AISI 304	AISI 304	ASTM A 380(*)	C9D	>900	●	●	●	●	●	●	●	●
Stainless Steel AISI 316L	AISI 316L	ASTM A 380(*)	C9E	>900	●	●	●	●	●	●	●	●

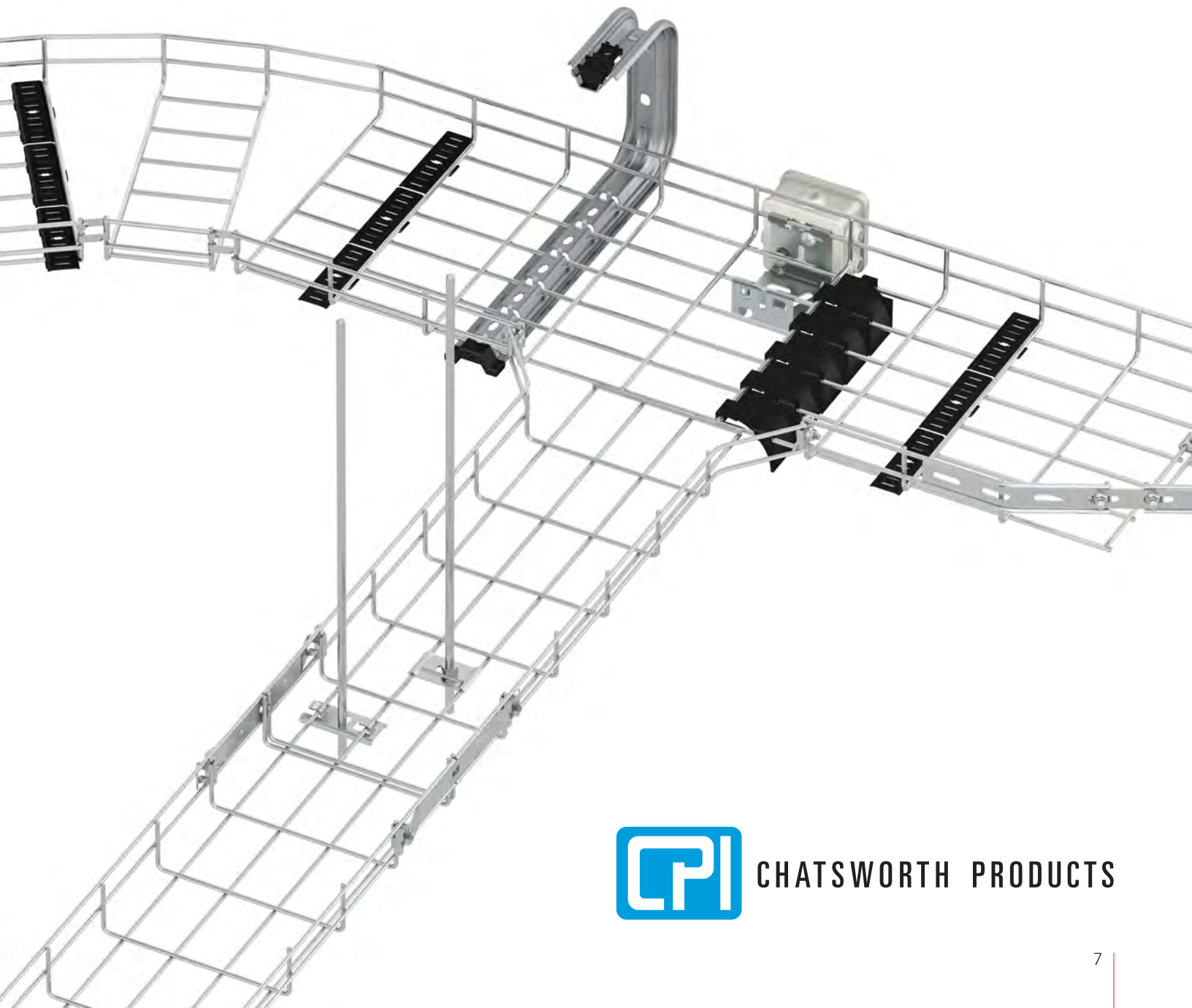
(\*) Passivation of Stainless Steel Parts

Buildings Data Center Photovoltaic/Energy Tunnels Food Industry Pharmaceutical Renewable Energies Petrochemical Industry

Note: Hot-Dipped Galvanized and Stainless Steel finishes are also available with an extended lead time. Please contact CPI Technical Support for additional information.

**reji**band<sup>®</sup>

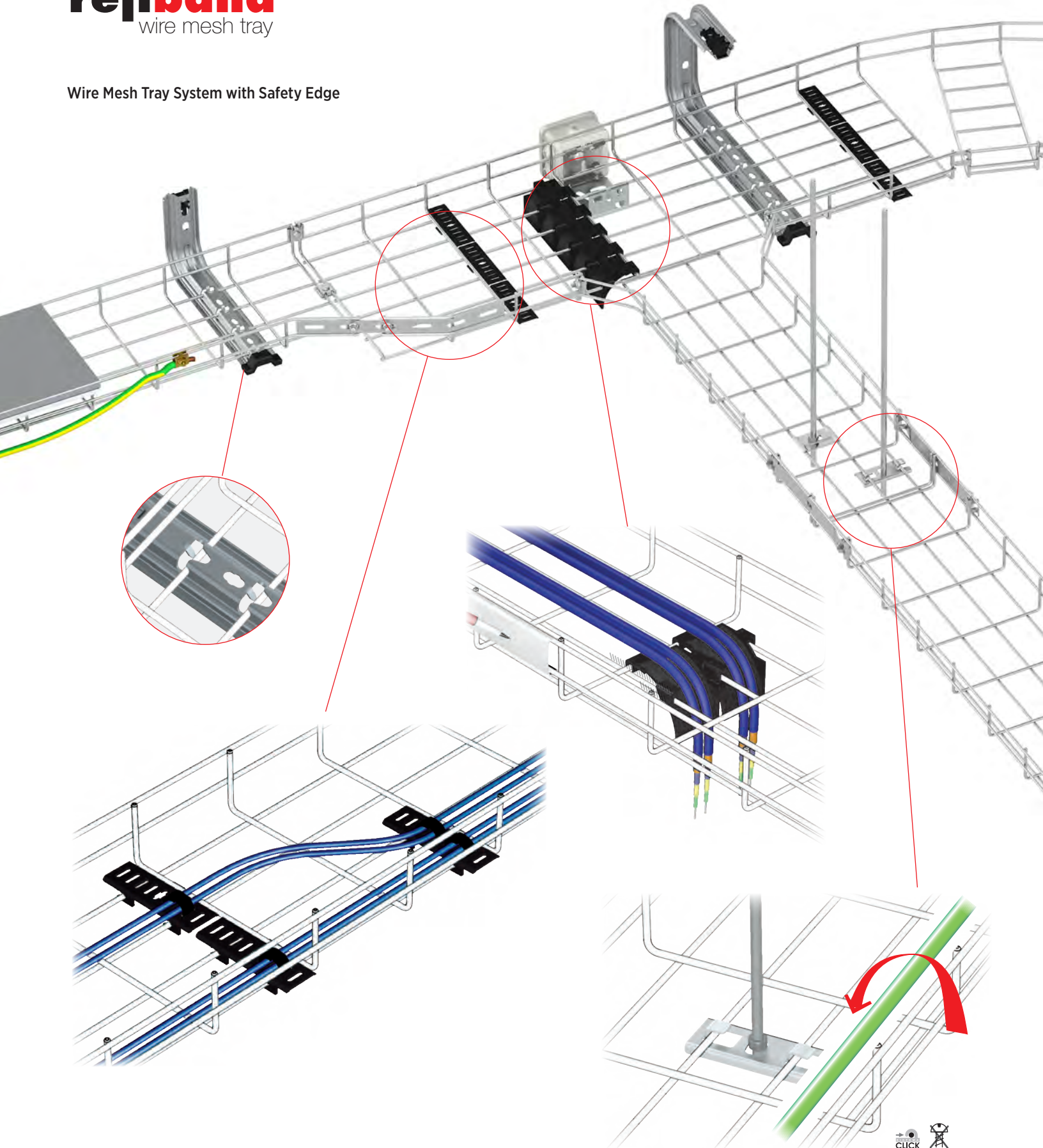
# Electrowelded Wire Mesh Cable Trays



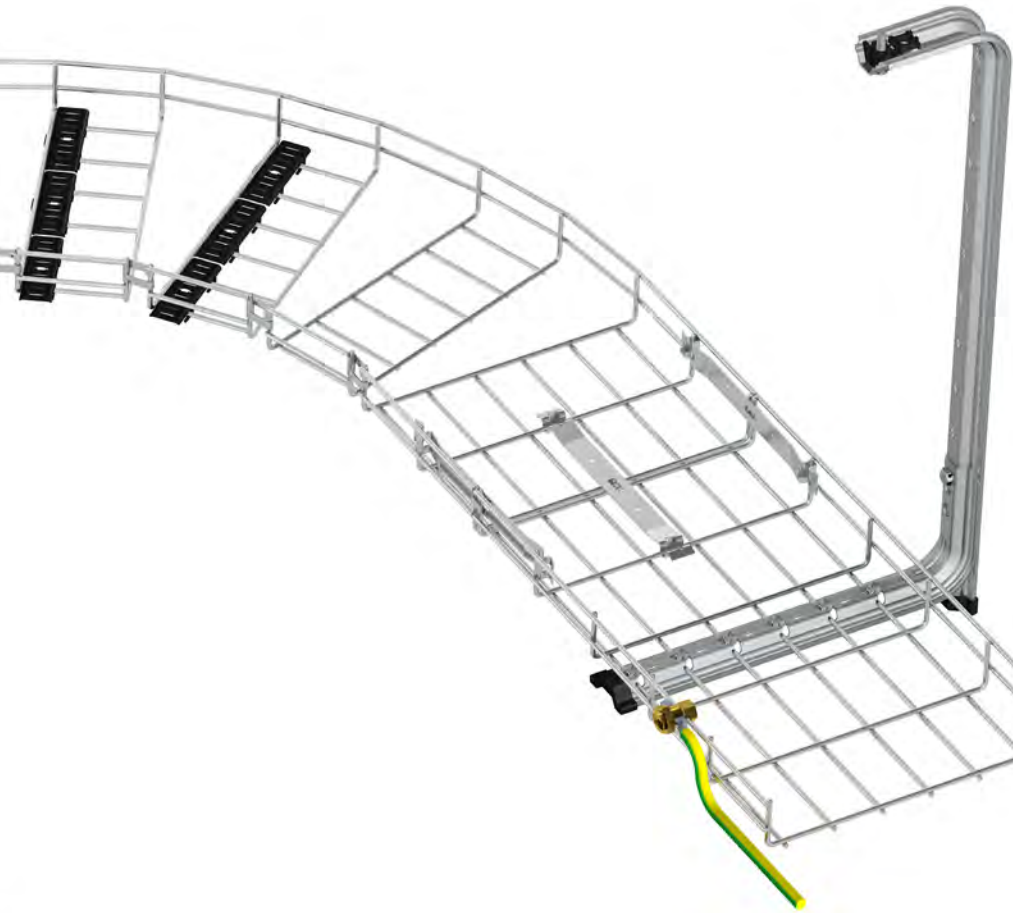
CHATSWORTH PRODUCTS

# reiband<sup>®</sup> wire mesh tray

## Wire Mesh Tray System with Safety Edge







<b>reji<b>band</b></b> <sup>®</sup>	in (mm)	in (mm)	L in (mm)	EZ	C8
	2 (60)	4 - 24 (100 - 600)	118 (3000)	●	
	4 (100)	4 - 24 (100 - 600)	118 (3000)	●	
<b>reji<b>band</b></b> <b>BLACK</b> C8					
	2 (60)	4 - 24 (100 - 600)	118 (3000)		●
	4 (100)	4 - 24 (100 - 600)	118 (3000)		●

International Standards:



International standard of Cable trays



Nema VE-1 Standard



UL Certified



DIN 4102-12 Fire Resistance



AENOR N Mark IEC 61537



RoHS 2002/95/CE  
WEEE 2012/19/UE



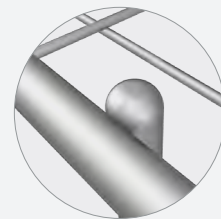
IQNET ISO 9001



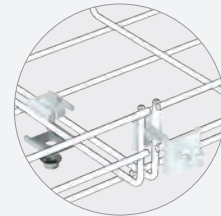
Patented product



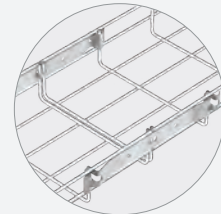
London Underground  
Transport of London



Safety edge



Fasteners



Click System



## Electrowelded Wire Mesh Tray with Safety Edge

### Advantages and features

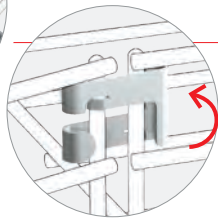
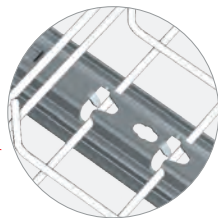
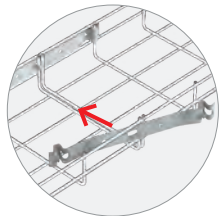
EZ: Electrozinc Plated

EZ

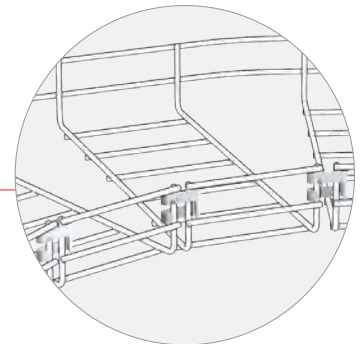
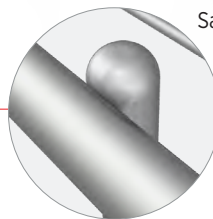
C8

C8: High Resistance BLACK C8

Safety edge protects cables.

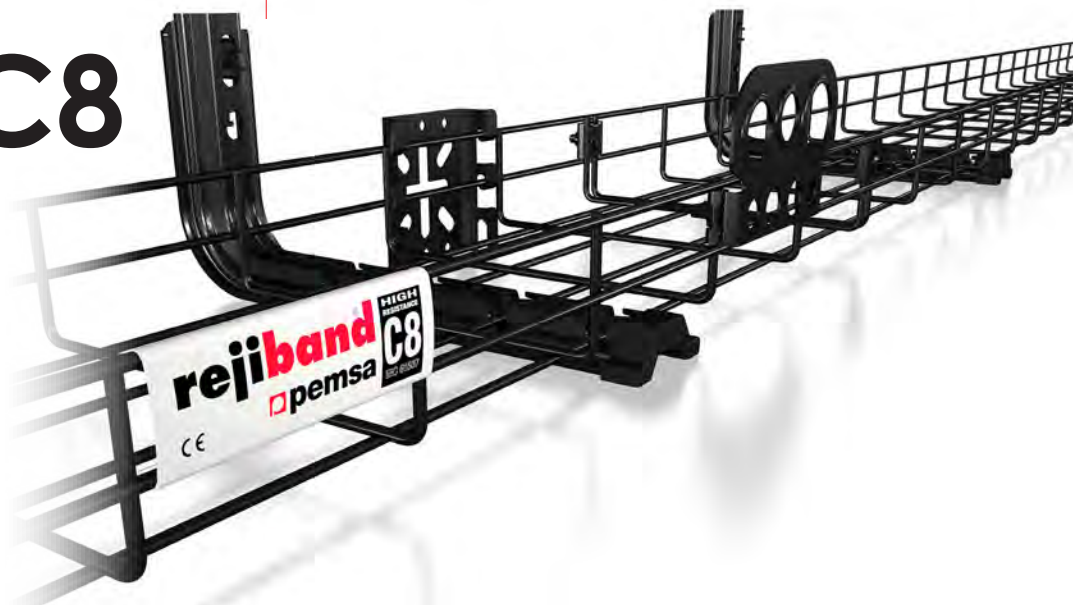


Quick Click Joint System



Quick Click Joint System provides fast installation, and savings on materials and handling costs.

**rejiband®**  
BLACK C8





# rejiband®

wire mesh tray

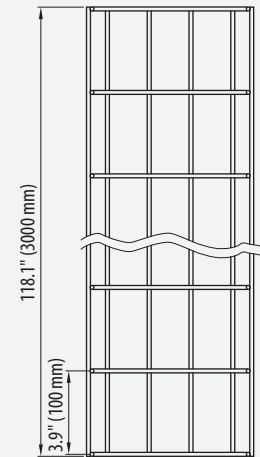
2" 4"  
60 mm 100 mm

2", 4" 60, 100 mm	4" - 24" 100-600 mm	118" 3000 mm

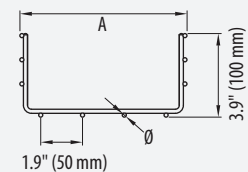


	in (mm)	Steel in finishes EZ and Black C8		lb/kg
		EZ	C8	
2" (60 mm)	4 (100)	60212100-003	60282100-003	6 (2.7)
	6 (150)	60212150-003	60282150-003	7 (3.1)
	8 (200)	60212200-003	60282200-003	9 (4.0)
	12 (300)	60212300-003	60282300-003	14 (6.3)
	18 (450)	60212450-003	60282450-003	18 (8.1)
4" (100 mm)	4 (100)	60213100-003	60283100-003	9 (4.0)
	6 (150)	60213150-003	60283150-003	10 (4.5)
	8 (200)	60213200-003	60283200-003	14 (6.3)
	12 (300)	60213300-003	60283300-003	17 (7.7)
	18 (450)	60213450-003	60283450-003	22 (9.9)
<b>rejiband®</b> 		64010061-050 ☉☐☐ 14	64080061-050 ☉☐☐ 14	

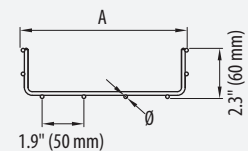
Notes: Sold individually. Each tray is 118" (3 m).  
Hot-Dipped Galvanized and Stainless Steel finishes are also available with an extended lead time. Please contact CPI Technical Support for additional information.



Rejiband® Series 60 X  - in. (mm)	Cross sectional area in <sup>2</sup> (mm <sup>2</sup> )	Steel in finishes EZ and Black C8		
		Load Rating lb./ft. (kg/m) Span of 5 ft. (1.5 m)	Class Designation (NEMA VE-1)	
				USA
2" x 4" (60x100)	6.9 (4.420)	38.08 (56.66)	5AA	-
2" x 6" (60x150)	10.5 (6.783)	38.08 (56.66)	5AA	-
2" x 8" (60x200)	14.5 (9.333)	38.08 (56.66)	5AA	-
2" x 12" (60x300)	21.8 (14.050)	65.28 (97.14)	5A	-
2" x 18" (60x450)	33.3 (21.500)	65.28 (97.14)	5A	-
2" x 24" (60x600)	45.0 (29.050)	72.08 (107.26)	5A	A



Rejiband® Series 100 X  - in. (mm)	Cross sectional area in <sup>2</sup> (mm <sup>2</sup> )	Steel in finishes EZ and Black C8		
		Load Rating lb./ft. (kg/m) Span of 5 ft. (1.5 m)	Class Designation (NEMA VE-1)	
				USA
4" x 4" (100x100)	11.6 (7.462)	44.88 (66.79)	5AA	-
4" x 6" (100x150)	17.9 (11.562)	44.88 (66.79)	5AA	-
4" x 8" (100x200)	25.2 (16.290)	44.88 (66.79)	5AA	-
4" x 12" (100x300)	39.2 (25.290)	85.68 (127.50)	5A	A
4" x 18" (100x450)	59.8 (38.580)	78.88 (117.38)	5A	A
4" x 24" (100x600)	81.0 (52.290)	78.88 (117.38)	5A	A



Note: For cable fill recommendations, download the CPI Cable Fill Table at [www.chatsworth.com/cablefill/](http://www.chatsworth.com/cablefill/)

**reiband**<sup>®</sup>  
wire mesh tray

2" 4"  
60 mm 100 mm

2", 4" 4" - 24" 118"  
60, 100 mm 100-600 mm 3000 mm



**NEW**

**BLACK C8**  
IEC 61537

High Resistance Finish



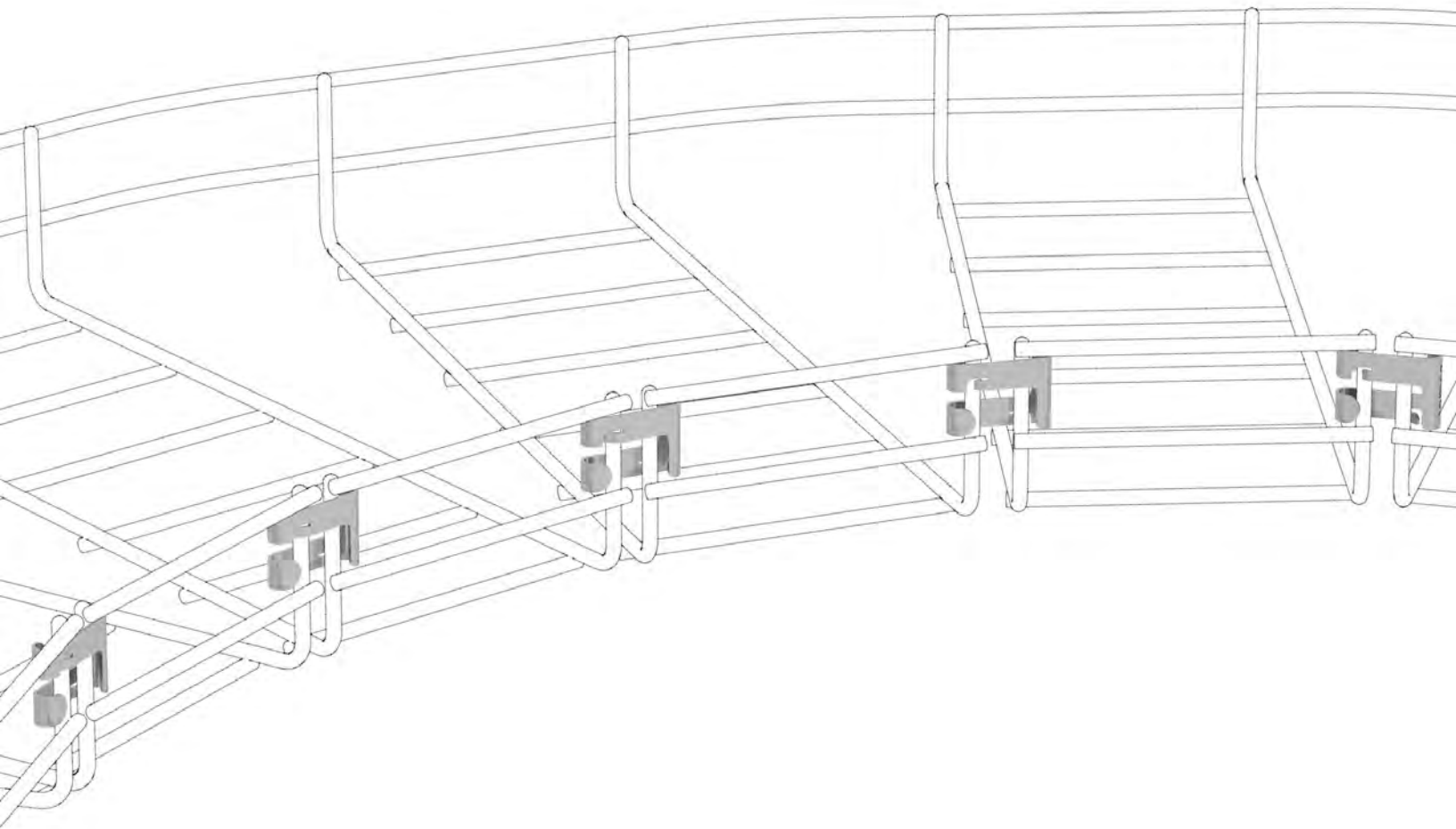
Accessories selection table

Wide Range of Accessories

	⌀ □	C8	EZ	PG		⌀ □	C8	EZ	PG
	30	62081X04-005	—	62021X04-005		30	62082X04-004	—	62022X04-004
	34	63082X04-010	—	63022X04-010		32	62085X03-004	—	62025X03-004
	14	64080061-050	64010061-050	—		20	62086011-010	—	62026011-010
	14	64080030-025	64010030-025	—		22	67080040-010	67010040-010	—
	16	64080072-050	64010072-050	—		41	62086020-010	62016020-010	—
	18	68000053-001	—	—		36	62081504-005 62081604-005	—	62021504-005 62021604-005
	16	67080053-010	67010053-010	—		36	60501-7XX	60501-5XX	—
	24	60506-70X	60506-E0X	—		12	67080143-020 67080043-020	67010143-020 67010043-020	—
	20	67080030-010	67010030-010	—		16	67080046-020	67010046-020	—
	20	62086010-010	—	62026010-010					

Notes: Hot-Dipped Galvanized and Stainless Steel finishes are also available with an extended lead time. Please contact CPI Technical Support for additional information. The X in the part numbers listed above indicates that there are multiple sizes (part numbers) for this support.

# Wire Mesh Tray Accessories



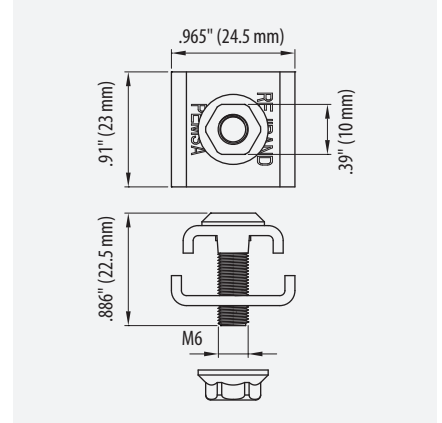


**Reinforced Joint Clamp**



in (mm) $\square$ 2, 4 (60, 100)		
$\square$ 4 - 24 (100-600)		
	Part n.	lb/kg
<b>EZ</b>	64010061-050	4 (1.8)
<b>C8</b>	64080061-050	4 (1.8)

Notes: Sold in packs of 50.

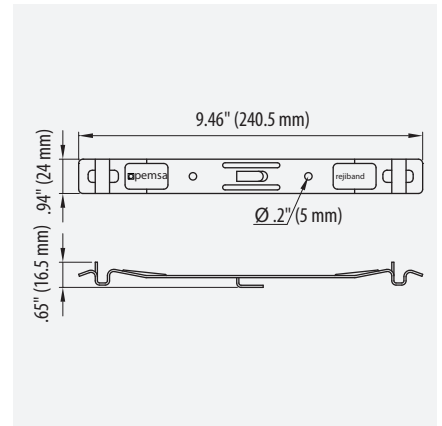


**Click Connector**



in (mm) $\square$ 2, 4 (60, 100)		
$\square$ 4 - 24 (100-600)		
	Part n.	lb/kg
<b>EZ</b>	64010020-025	5 (2.2)
<b>C8</b>	64080030-025	5 (2.2)

Notes: Sold in packs of 25.

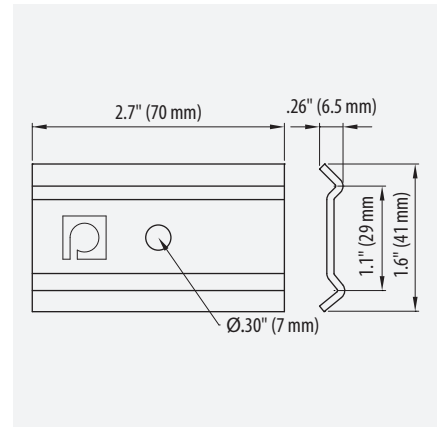


**Side Joint Plate**



in (mm) $\square$ 2, 4 (60, 100)		
$\square$ 4 - 24 (100-600)		
	Part n.	lb/kg
<b>EZ</b>	64010041-050	6 (2.7)
<b>C8</b>	64080041-050	6 (2.7)

Notes: Sold in packs of 50.

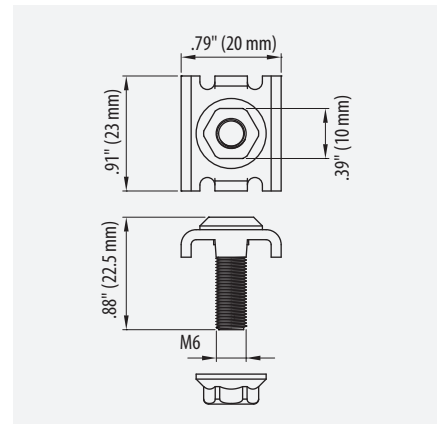


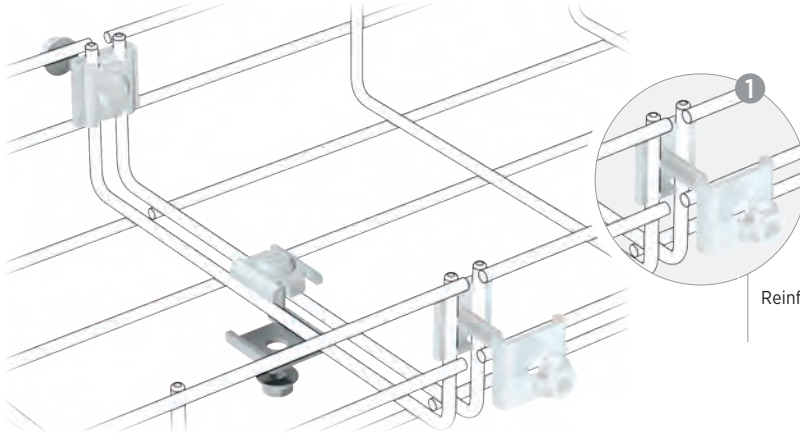
**Part Clamp**



in (mm) $\square$ 2, 4 (60, 100)		
$\square$ 4 - 24 (100-600)		
	Part n.	lb/kg
<b>EZ</b>	64010060-050	3 (1.3)
<b>C8</b>	64080060-050	3 (1.3)

Notes: Sold in packs of 50.



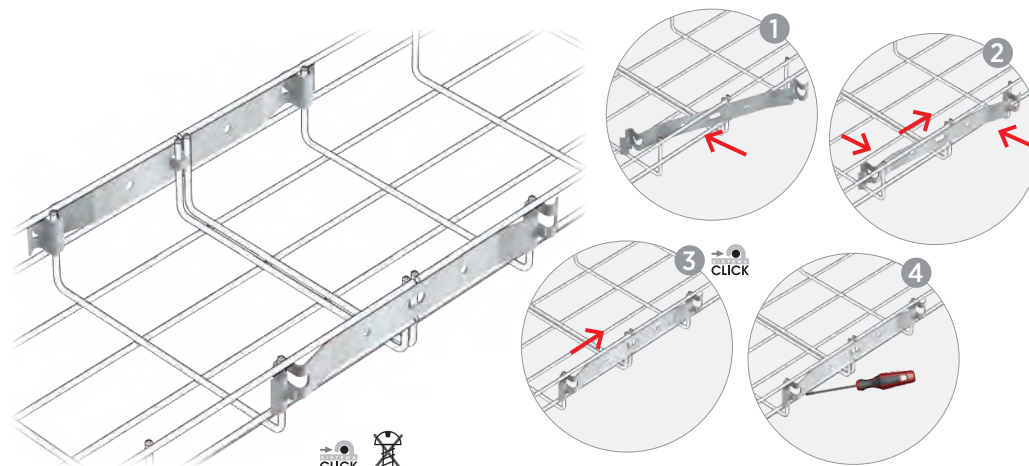


Reinforced assembly

in (mm)	
4-6 (100-150)	2
8-12 (200-300)	2+1*
18-24 (450-600)	2+2*

Note: \* indicates bottom of tray

Electrical Continuity guaranteed per IEC 61537  
<math><50m\Omega</math>

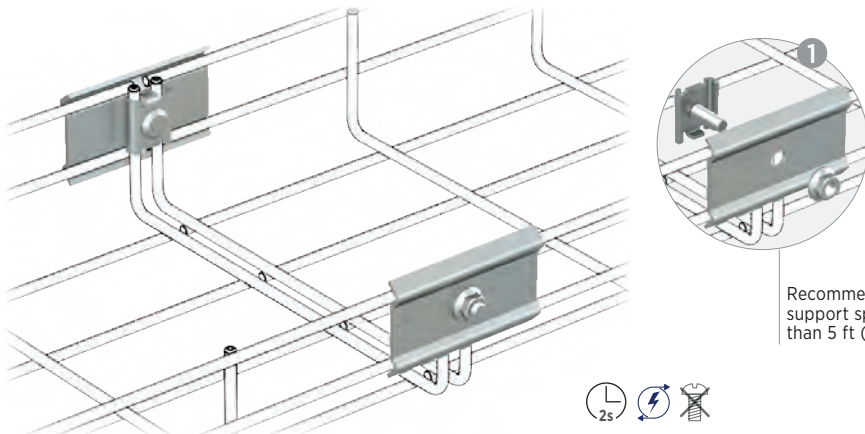


in (mm)	
4 (100)	2
6 (150)	2
8 (200)	2
12 (300)	2+1*
18 (450)	2+1*
24 (600)	2+1*

Note: \* indicates bottom of tray

4s Fast assembly

Electrical Continuity guaranteed per IEC 61537  
<math><50m\Omega</math>

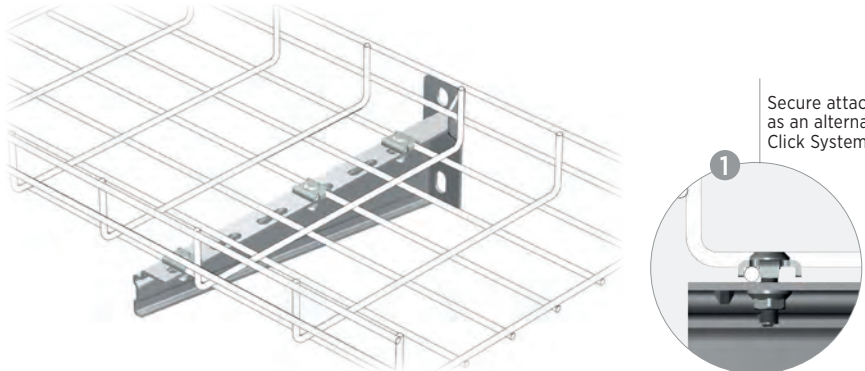


Recommended splice when support span is greater than 5 ft (1.5 m).

in (mm)			
4-8 (100-200)	2	2	0
12 (300)	2	2	+1*
18-24 (450-600)	2	2	+2*

Note: \* indicates bottom of tray

Electrical Continuity guaranteed per IEC 61537  
<math><50m\Omega</math>



Secure attachment to supports as an alternative to the Quick Click System.

in (mm)	
4-6 (100-150)	1
8-12 (200-300)	2
18-24 (450-600)	3

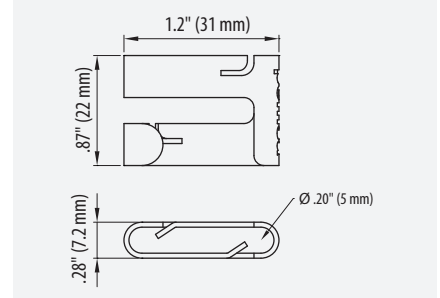


**Fast Clip**

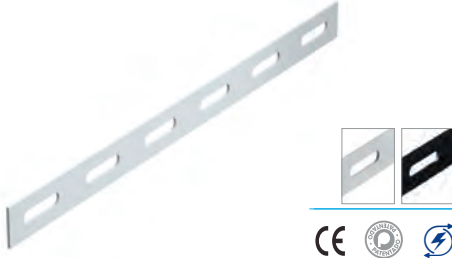


in (mm) $\square$ 2, 4 (60, 100)		
$\square$ 4 - 24 (100-600)		
F	Part n.	lb/kg
EZ	64010072-050	1 (0.4)
C8	64080072-050	1 (0.4)

Notes: Sold in packs of 50.

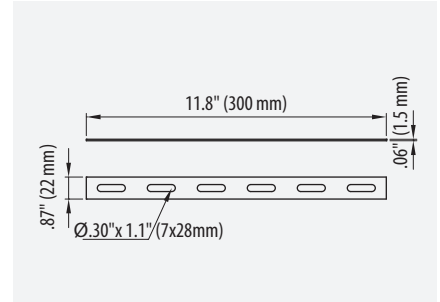


**Splice Plate**



in (mm) $\square$ 2, 4 (60, 100)		
$\square$ 4 - 24 (100-600)		
F	Part n.	lb/kg
EZ	67010053-010	2 (0.9)
C8	67080053-010	2 (0.9)

Notes: Sold in packs of 10.

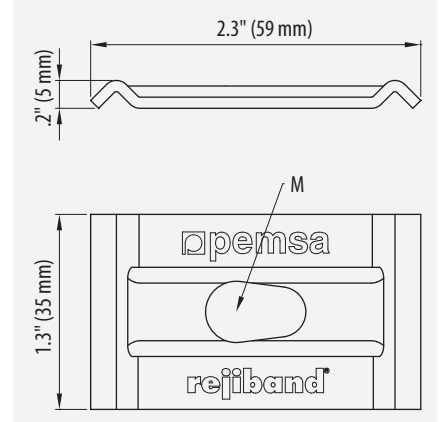


**Central Hanging Plate**

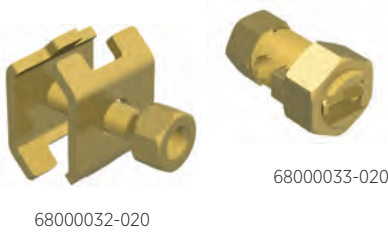


in (mm) $\square$ 2, 4 (60, 100)			
$\square$ 4, 6, 8 (100, 150, 200)			
F	M	Part n.	lb/kg
EZ	5/16" (M8)	67010046-020	2 (0.9)
C8	3/8" (M10)	67080046-020	2 (0.9)

Notes: Sold in packs of 20.  
Use with either 5/16" (M8) or 3/8" (M10) threaded rod. Also used with L-shaped intersections and to secure tray vertically to a wall or directly to the floor.

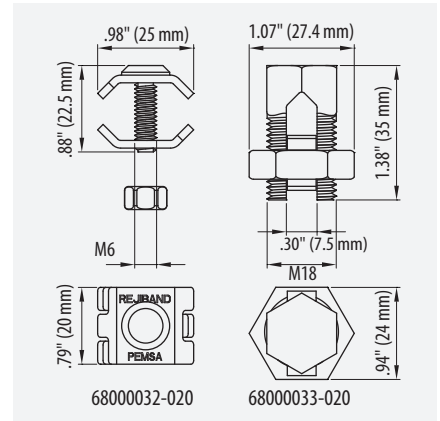


**Grounding Connector**



in (mm) $\square$ 2, 4 (60, 100)					
$\square$ 4 - 24 (100-600)					
F	AWG	in <sup>2</sup> (mm <sup>2</sup> )	Ømáx in (mm)	Part n.	lb (kg)
LAT	3-14	.02-.05 (16-35)	.26 (6.5)	68000032-020	2 (0.9)
	1/0-6	.05-.07 (35-45)	.30 (7.5)	68000033-020	3 (1.3)

Notes: Sold in packs of 20.

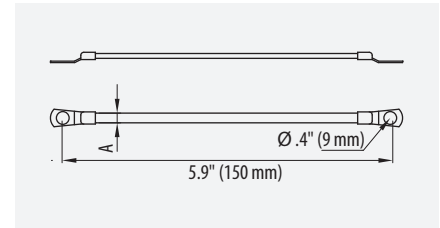


**Ground Strap**

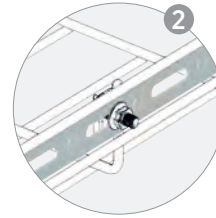
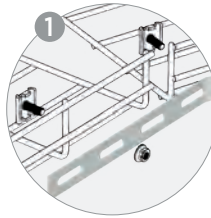
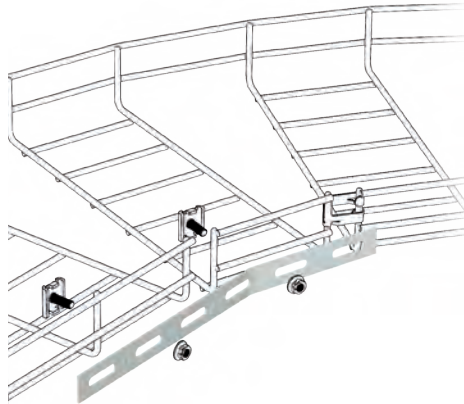
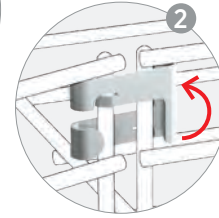
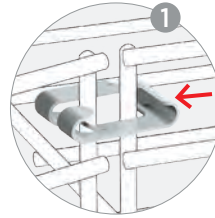
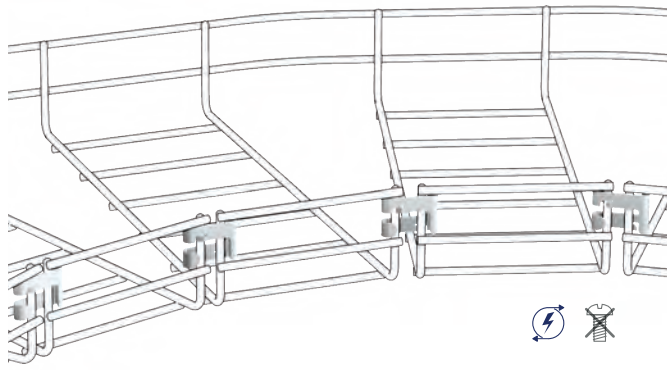


in (mm) $\square$ 2, 4 (60, 100)			
$\square$ 4 - 24 (100-600)			
F	A in <sup>2</sup> (mm <sup>2</sup> )	Part n.	lb (kg)
LAT	.018 (12)	68000036-010	1 (0.4)
	.024 (16)	68000037-010	1 (0.4)

Notes: Sold in packs of 10.







Use for turns and intersections

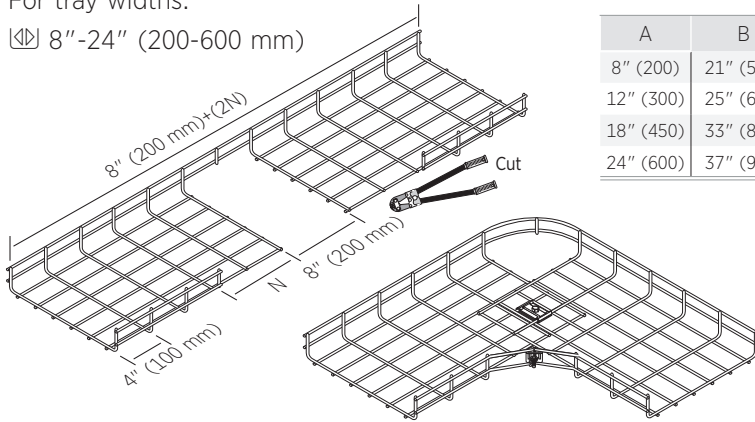
in (mm)		
4-8 (100-200)	4	2
12 (300)	6	2+1*
18-24 (450-600)	8	2+2*

Note: \*indicates bottom of tray

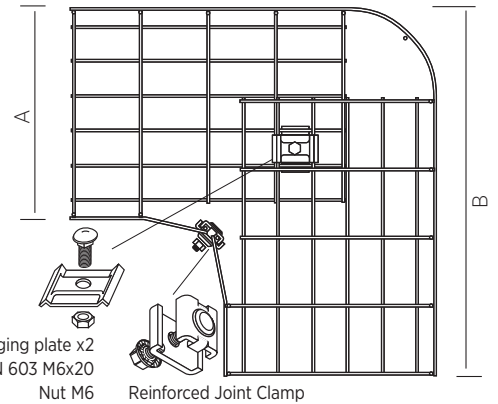
## Versatile pathway

For tray widths:

8" - 24" (200-600 mm)

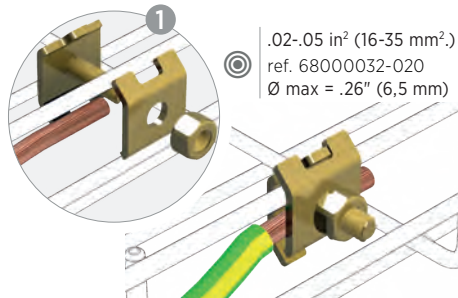


A	B	N
8" (200)	21" (525)	4" (100)
12" (300)	25" (625)	8" (200)
18" (450)	33" (825)	12" (300)
24" (600)	37" (925)	20" (500)



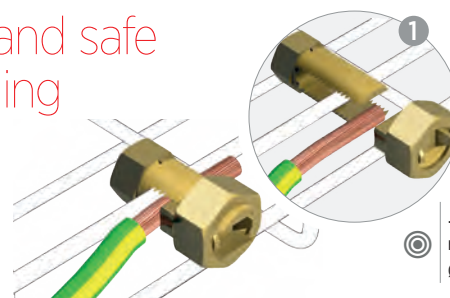
Central hanging plate x2  
Screw C/DIN 603 M6x20  
Nut M6

Reinforced Joint Clamp



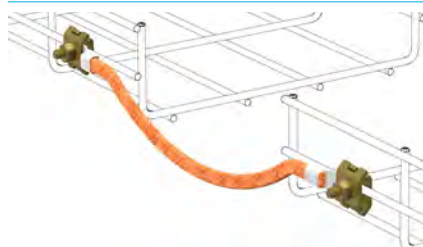
.02-.05 in<sup>2</sup> (16-35 mm<sup>2</sup>)  
ref. 68000032-020  
Ø max = .26" (6,5 mm)

## Fast and safe bonding



.05-.07 in<sup>2</sup> (36-45 mm<sup>2</sup>)  
ref. 68000033-020  
Ø max = .30" (7,5 mm)

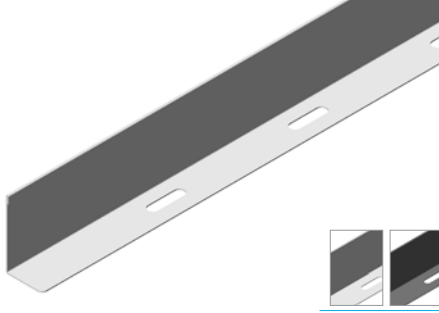
16 | Bonding Connection



1 x 68000036-010 16  
 2 x 68000032-010 16

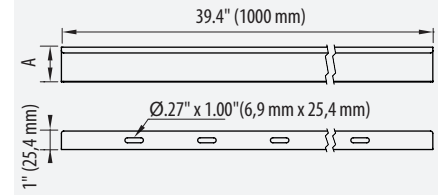


## Divider Kit



in (mm) $\left[ \begin{array}{c} \diagup \\ \diagdown \end{array} \right]$ 2 - 4 (60-100)			
$\text{\textcircled{F}}$	$\left[ \begin{array}{c} \diagup \\ \diagdown \end{array} \right]$	Part n.	lb/kg
<b>Silver*</b>	2" (50 mm)	60502-502	5 (2.3)
	4" (100 mm)	60502-504	7 (3.2)
<b>Black*</b>	2" (50 mm)	60502-702	5 (2.3)
	4" (100 mm)	60502-704	7 (3.2)

\* Painted finish matches EZ and C8.  
Each Divider Kit includes (3) 39.4" (1000 mm) long sections. Order (1) Divider Kit to match the length of (1) Rejiband tray.

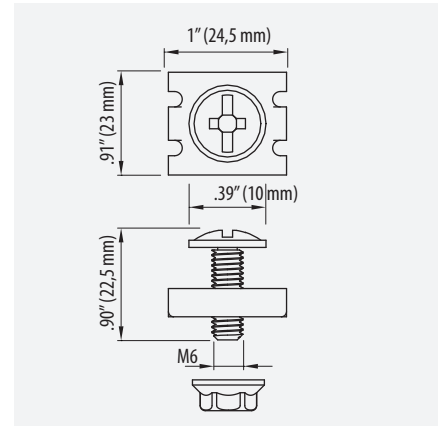
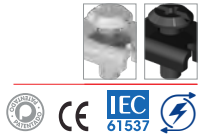


## Accessory Clamp Hardware Kit



in (mm) $\left[ \begin{array}{c} \diagup \\ \diagdown \end{array} \right]$ 2, 4 (60, 100)		
$\left[ \begin{array}{c} \diagup \\ \diagdown \end{array} \right]$ 4 - 24 (100-600)		
$\text{\textcircled{F}}$	Part n.	lb/kg
<b>EZ</b>	64010158-050	2 (0.9)
<b>C8</b>	64080158-050	2 (0.9)

Notes: Sold in packs of 50.

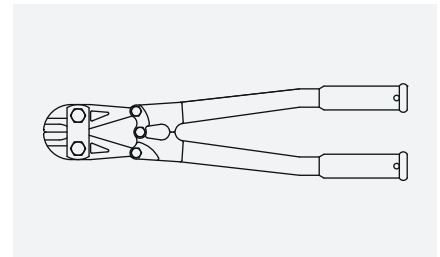


## Cutting Tool



in (mm) $\left[ \begin{array}{c} \diagup \\ \diagdown \end{array} \right]$ 2,4 (60,100)	
$\left[ \begin{array}{c} \diagup \\ \diagdown \end{array} \right]$ 4 - 24 (100-600)	
Part n.	lb/kg
68000058-001	4 (1.8)

Note: Sold individually.

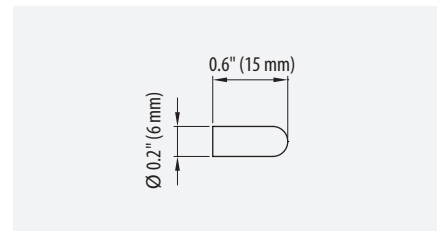


## Wire End Cap



in (mm) $\left[ \begin{array}{c} \diagup \\ \diagdown \end{array} \right]$ 2,4 (60,100)	
$\left[ \begin{array}{c} \diagup \\ \diagdown \end{array} \right]$ 4 - 24 (100-600)	
Part n.	lb/kg
68000049-100	1 (0.4)

Note: Sold in packs of 100.

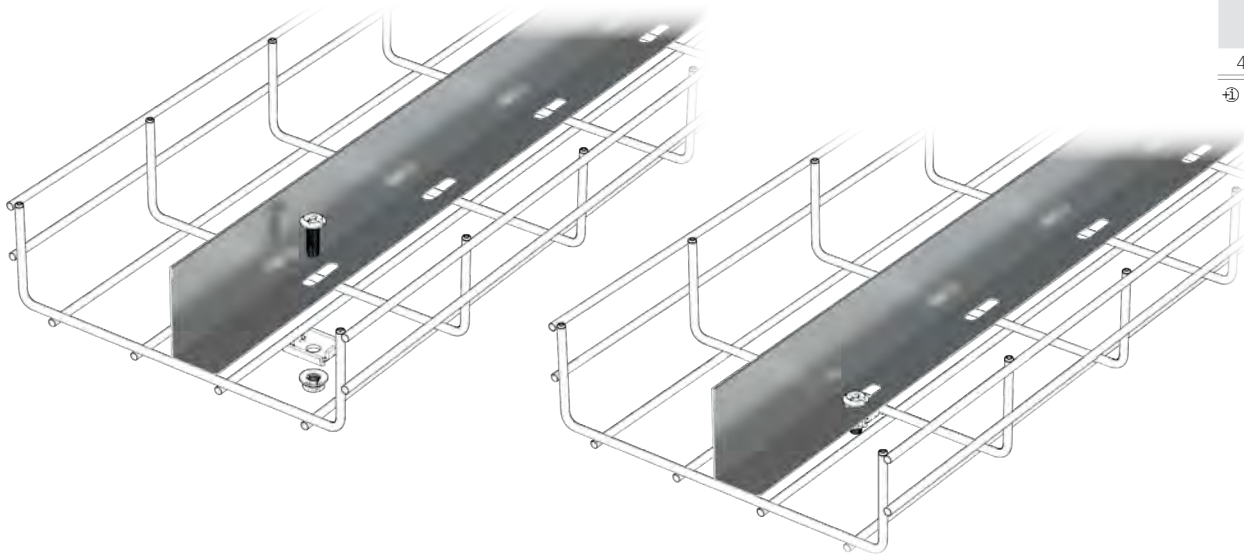


## Touch-Up Paint

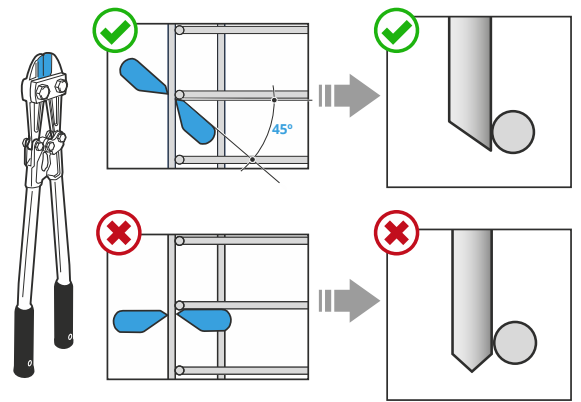


in (mm) $\left[ \begin{array}{c} \diagup \\ \diagdown \end{array} \right]$ 2,4 (60,100)		
$\left[ \begin{array}{c} \diagup \\ \diagdown \end{array} \right]$ 4 - 24 (100-600)		
$\text{\textcircled{F}}$	Part n.	lb/kg
<b>C8</b>	68000053-001	2 (0.9)

Note: Sold individually.



4-24 (100-600)	1
Ø 18	



How to Install



Download the installation guide from:

[www.chatsworth.com/Products/Cable-Pathway/Pemsa-Rejiband-Wire-Mesh-Cable-Tray/](http://www.chatsworth.com/Products/Cable-Pathway/Pemsa-Rejiband-Wire-Mesh-Cable-Tray/)

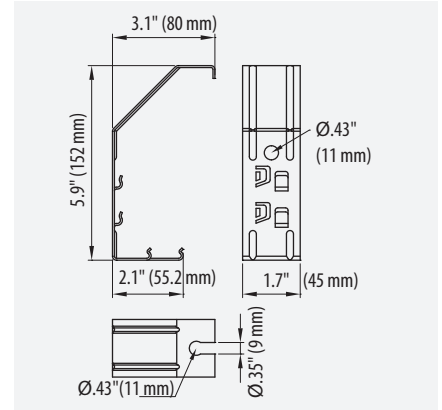


**Light-Duty Ceiling Support**



in (mm)	4 (100)	
	4-6 (100-150)	
Ⓢ	Part n.	lb/kg
<b>EZ</b>	62016020-010	3 (1.3)
<b>C8</b>	62086020-010	3 (1.3)

Notes: Sold in packs of 10.



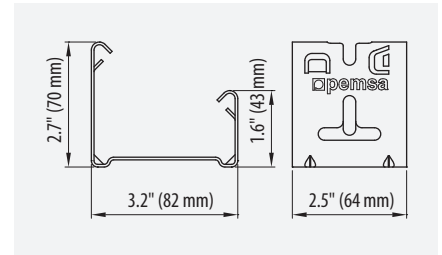
**Lighting and Box Support**



in (mm)	4 (100)	
	4 - 24 (100-600)	
Ⓢ	Part n.	lb/kg
<b>EZ</b>	67010030-010	4 (1.8)
<b>C8</b>	67080030-010	4 (1.8)

NO 6, 18 (150, 450)

Notes: Sold in packs of 10.

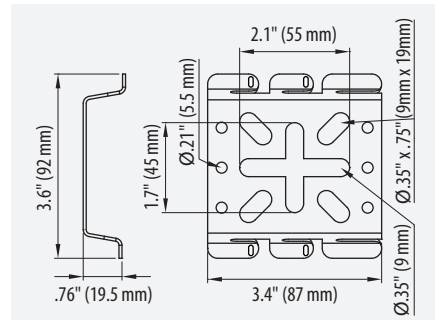


**Mini Universal Bracket**

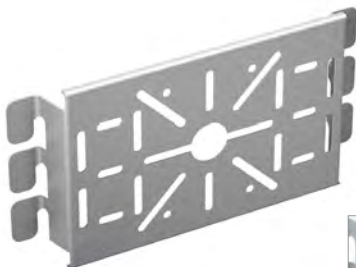


in (mm)	2, 4 (60, 100)	
	4 - 24 (100-600)	
Ⓢ	Part n.	lb/kg
<b>PG</b>	62026010-010	3 (1.3)
<b>C8</b>	62086010-010	3 (1.3)

Notes: Sold in packs of 10.

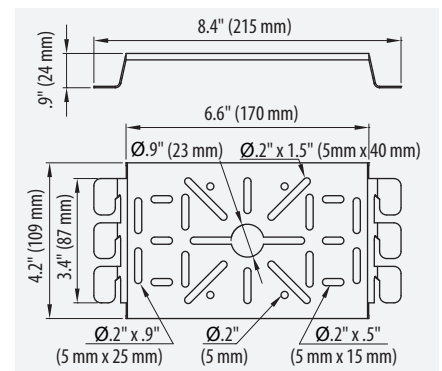


**Universal Bracket**



in (mm)	2, 4 (60, 100)	
	4 - 24 (100-600)	
Ⓢ	Part n.	lb/kg
<b>PG</b>	62026011-010	4 (1.8)
<b>C8</b>	62086011-010	4 (1.8)

Notes: Sold in packs of 10.

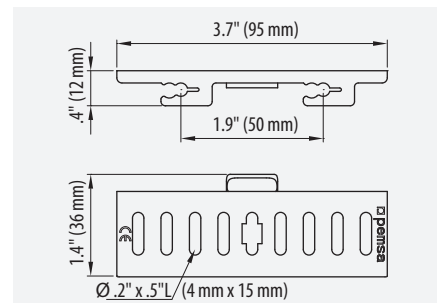


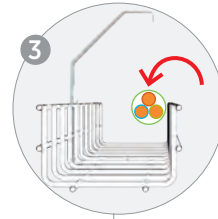
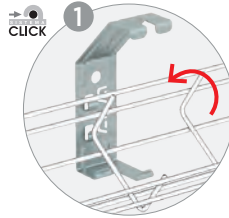
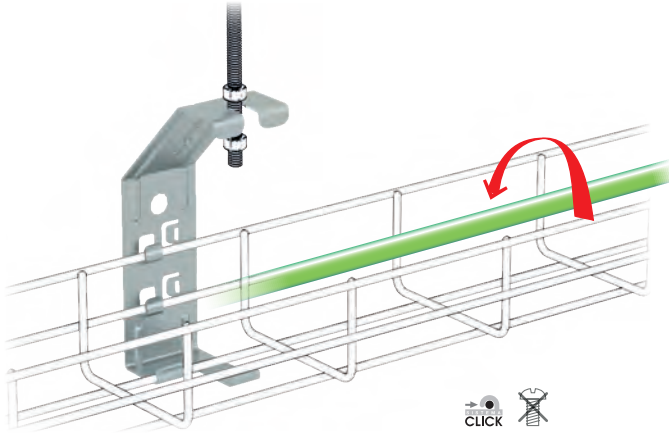
**Cable Tie Clip**



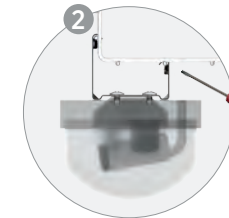
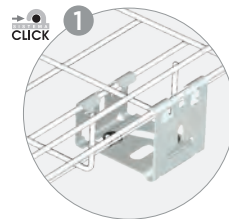
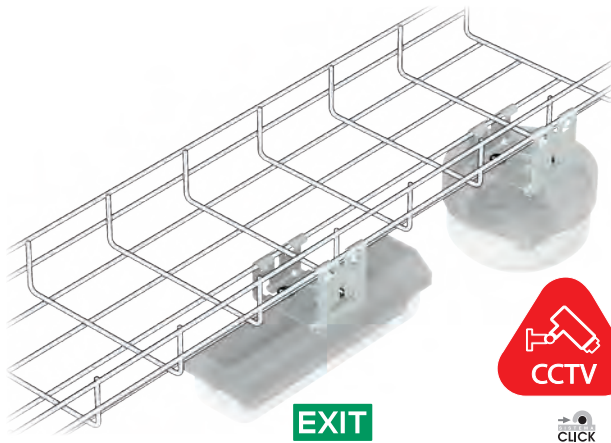
in (mm)	2, 4 (60, 100)	
	4 - 24 (100-600)	
	Part n.	lb/kg
	68000110-20	1 (0.4)

Notes: Sold in packs of 20.  
Plastic is UL94-V0 rated.

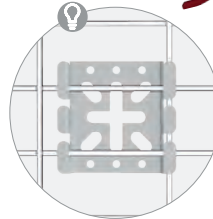
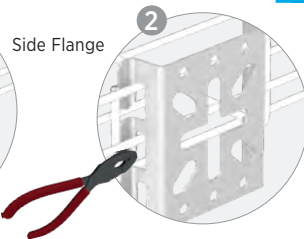
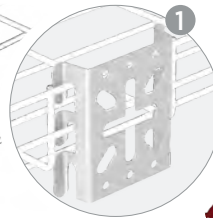
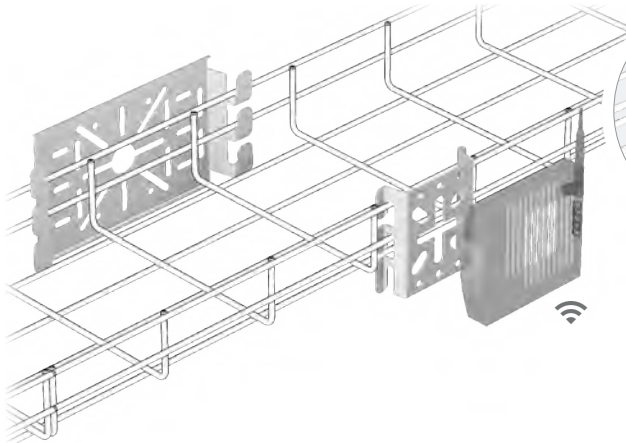




The cable is introduced laterally

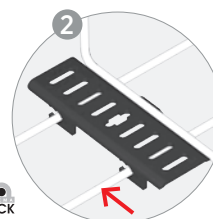
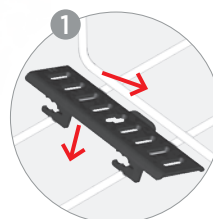
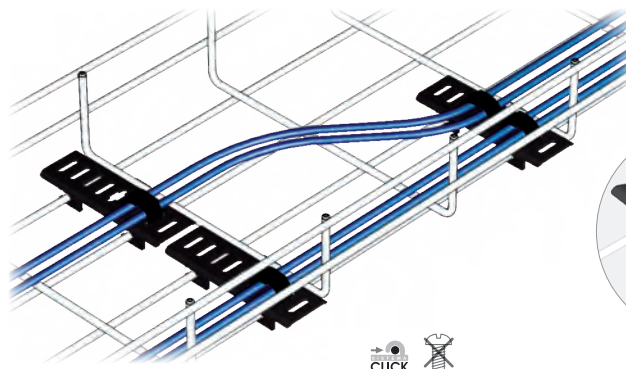


- Multiple Applications:
- Lighting
  - Emergency lighting
  - Boxes
  - Router
  - Sensors
  - Detectors



Bottom

## Cable Management



- Cables
- Fiber Optic
- Power Cables

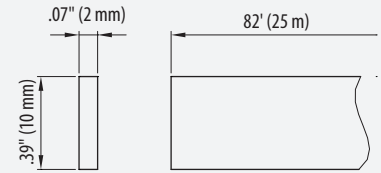


## Hook and Loop Cable Tie Roll



in (mm) $\begin{matrix} \diagup \\ \diagdown \end{matrix}$ 2, 4 (60, 100)		
$\begin{matrix} \diagdown \\ \diagup \end{matrix}$ 4 - 24 (100-600)		
Part n.	lb/kg	
89011000-001	1 (0.4)	

Note: Sold in continuous roll.

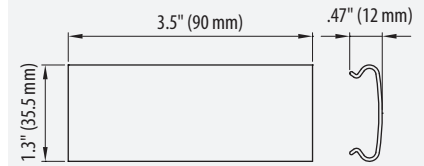


## Identification Plate

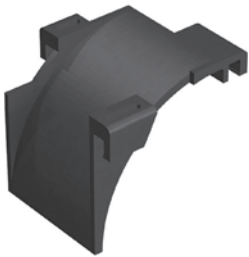


in (mm) $\begin{matrix} \diagup \\ \diagdown \end{matrix}$ 2, 4 (60, 100)		
$\begin{matrix} \diagdown \\ \diagup \end{matrix}$ 4 - 24 (100-600)		
Part n.	lb/kg	
89010000-020	2 (0.9)	

Note: Sold in packs of 20.

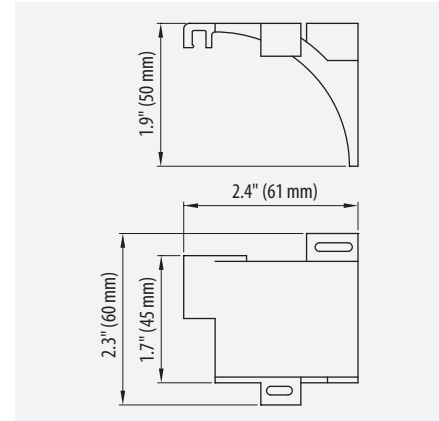


## Data Outlet

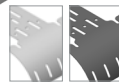
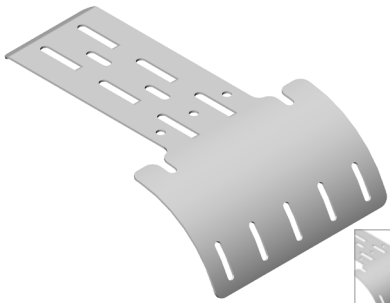


in (mm) $\begin{matrix} \diagup \\ \diagdown \end{matrix}$ 2, 4 (60, 100)		
$\begin{matrix} \diagdown \\ \diagup \end{matrix}$ 4 - 24 (100-600)		
Part n.	lb/kg	
67020139-010	1 (0.4)	

Note: Sold in packs of 10.  
Plastic is UL94-V0 rated.

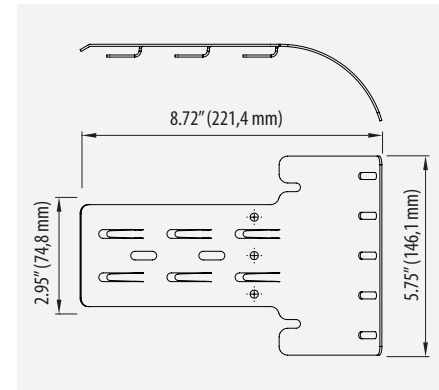


## Radius Drop



in (mm) $\begin{matrix} \diagup \\ \diagdown \end{matrix}$ 2, 4 (60, 100)		
$\begin{matrix} \diagdown \\ \diagup \end{matrix}$ 4 - 24 (100-600)		
$\text{\textcircled{F}}$	Part n.	lb/kg
<b>Silver*</b>	60500-501	1.7 (0.8)
<b>Black*</b>	60500-701	1.7 (0.8)

Note: Painted finish matches tray finish (EZ or C8).  
Can be attached to the tray with bendable tabs or  
with Accessory Hardware Kit (sold separately).

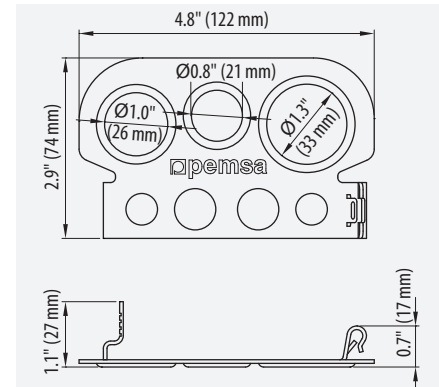


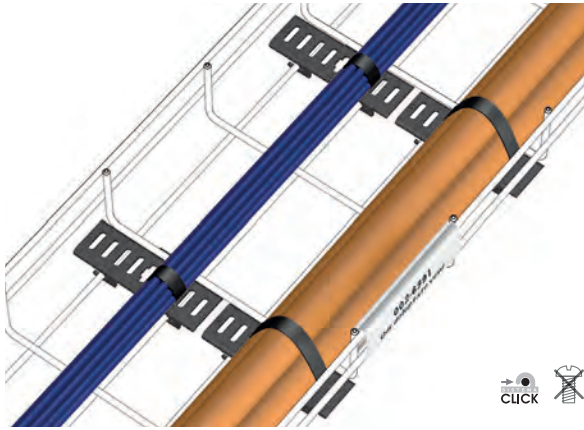
## Conduit Gland Bracket



in (mm) $\begin{matrix} \diagup \\ \diagdown \end{matrix}$ 2, 4 (60, 100)		
$\begin{matrix} \diagdown \\ \diagup \end{matrix}$ 4 - 24 (100-600)		
$\text{\textcircled{F}}$	Part n.	lb/kg
<b>EZ</b>	67010040-010	2 (0.9)
<b>C8</b>	67080040-010	2 (0.9)

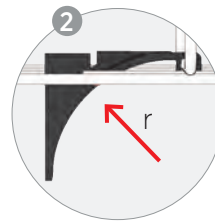
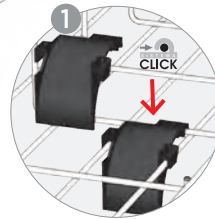
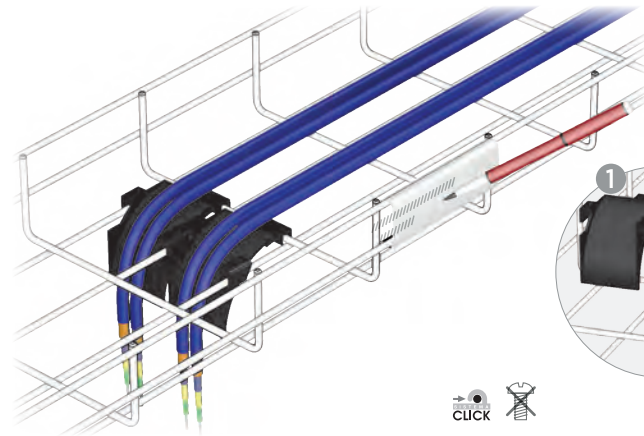
Note: Sold in packs of 10.  
Use with PG13, PG16, PG21, M20, M25, 3/8", 1/2" or  
3/4" conduit fittings.





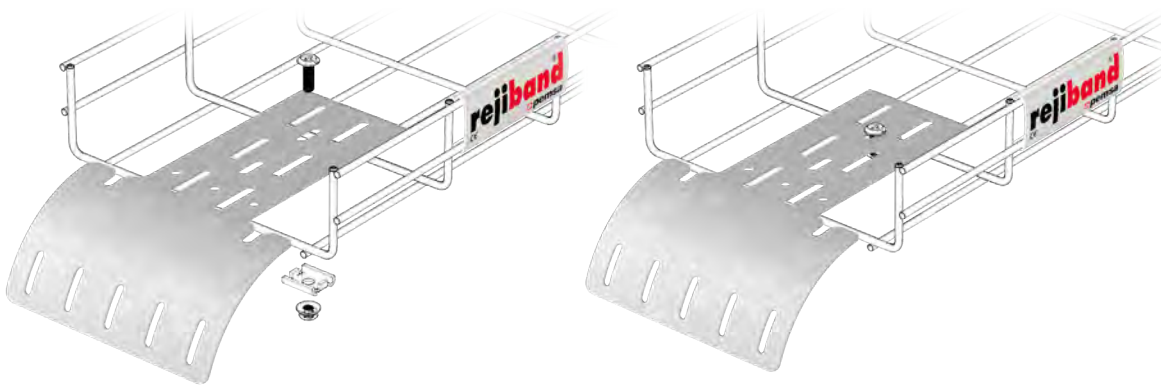
## Cable Organization

Organize and secure cable bundles. Cut to length to accommodate the size of the bundle.

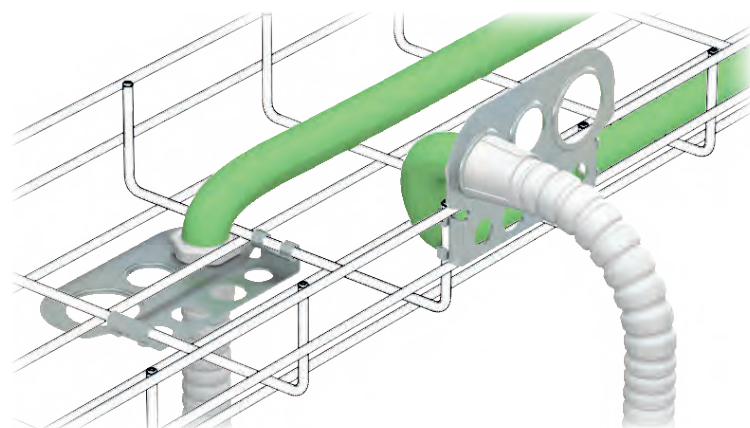


## Protects cables allowing for optimum bend radius

UTP Cat. Cables  
Fiber Optic  
Bend Radius (r) = 2" (50 mm)



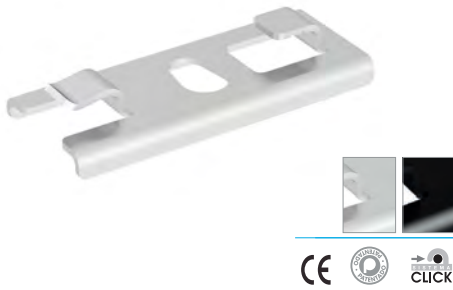
4-24 (100-600)	1
⌀ 18	



## Protect Cables Accepts multiple sizes of conduits and fixings.

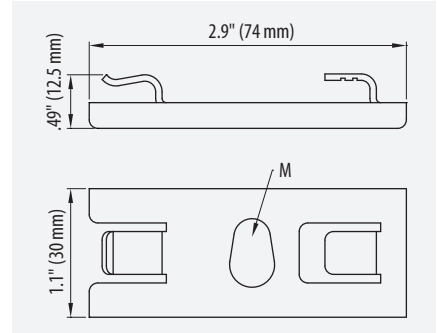


**Click Central Hanging Plate**

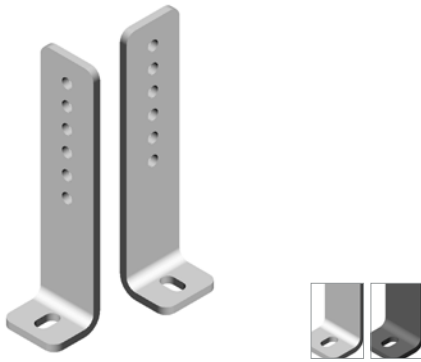


in (mm)   ⊕ 2, 4 (60, 100)			
⊞ 4, 6, 8 (100, 150, 200)			
Ⓢ	M	Part n.	Ⓛb/kg
<b>EZ</b>	5/16" (M8)	67010043-020	2 (0,9)
<b>C8</b>	3/8" (M10)	67080043-020	2 (0,9)

Notes: Sold in packs of 20.  
Use with either 5/16" (M8) or 3/8" (M10) threaded rod.

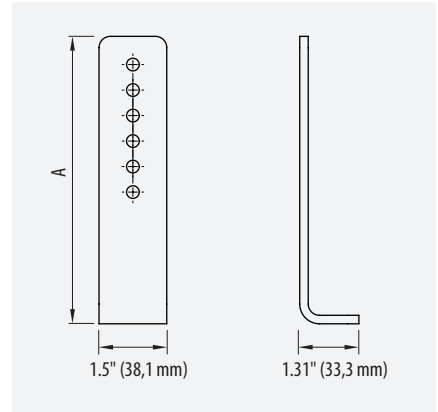


**Elevation Kit for Pems® Rejiband® Wire Mesh Cable Tray**

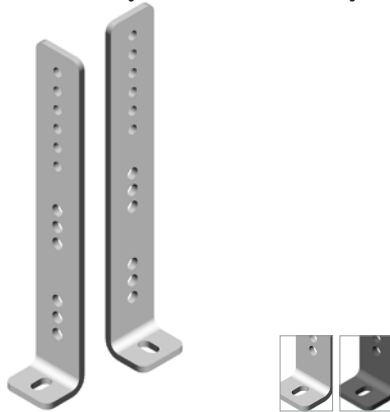


in (mm)   ⊕ 2, 4 (60, 100)			
⊞ 4 - 24 (100-600)			
Ⓢ	A	Part n.	Ⓛb/kg
<b>Glacier White</b>	2 - 3 (50 - 75)	60506-E02	3 (1.4)
	4 - 6 (100 - 150)	60506-E06	3.5 (1.6)
	10 - 12 (250 - 300)	60506-E08	4.5 (2)
<b>BK</b>	2 - 3 (50 - 75)	60506-702	3 (1.4)
	4 - 6 (100 - 150)	60506-706	3.5 (1.6)
	10 - 12 (250 - 300)	60506-708	4.5 (2)

Note: Painted to match rack/cabinet finish (Glacier White or Black).

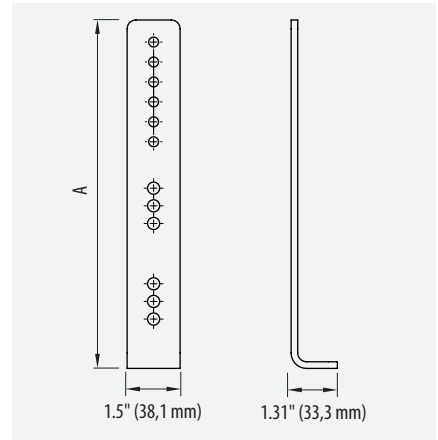


**Combination Elevation Kit for Pems® Rejiband® Wire Mesh Cable Tray and CPI Cable Runway**



in (mm)   ⊕ 2, 4 (60, 100)			
⊞ 4 - 24 (100-600)			
Ⓢ	A	Part n.	Ⓛb/kg
<b>Glacier White</b>	2 - 3 (50 - 75)	60507-E02	4 (1.8)
	4 - 6 (100 - 150)	60507-E06	5 (2.3)
<b>BK</b>	2 - 3 (50 - 75)	60507-702	4 (1.8)
	4 - 6 (100 - 150)	60507-706	5 (2.3)

Note: Painted to match rack/cabinet finish (Glacier White or Black).

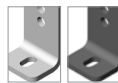
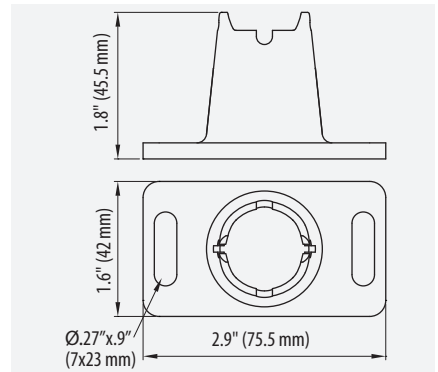


**Support Foot**

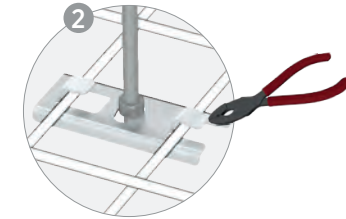
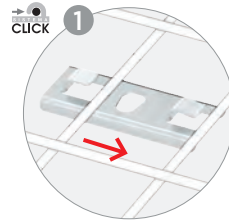
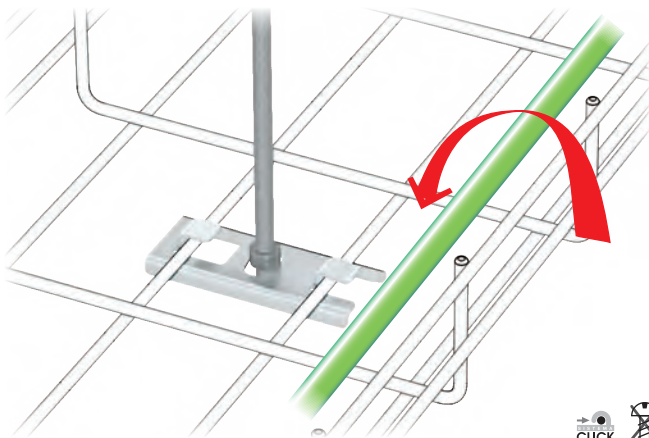





in (mm)   ⊕ 2, 4 (60, 100)	
⊞ 4 - 24 (100-600)	
Part n.	Ⓛb/kg
68000160-100	49 (22.2)

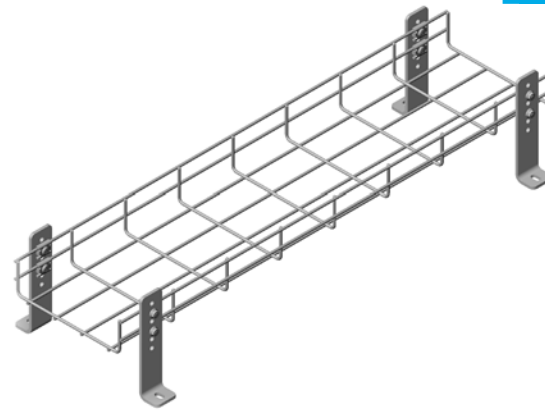
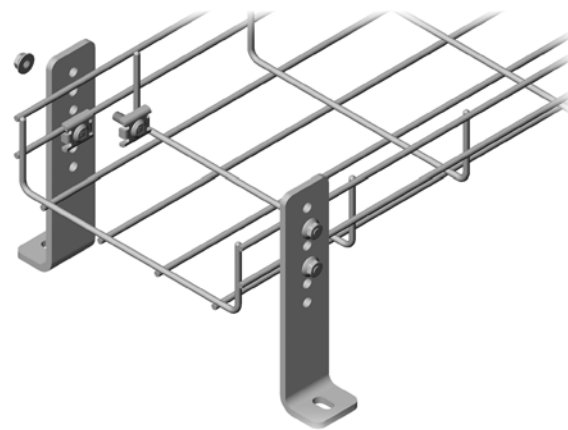
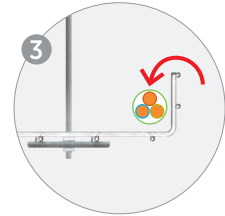
Note: Sold in packs of 100.  
Plastic is UL94-V0 rated.





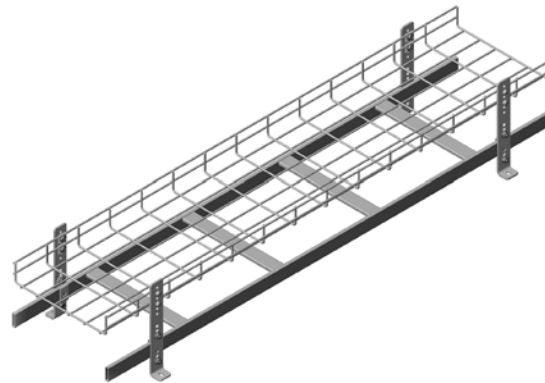
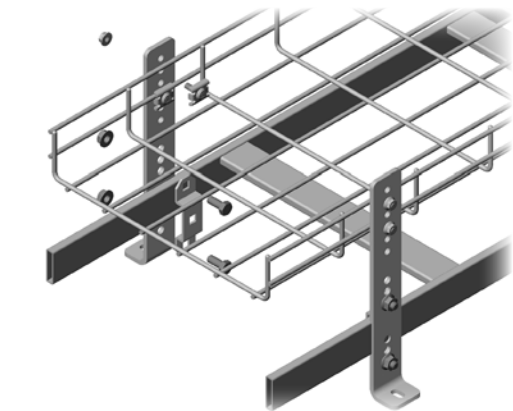






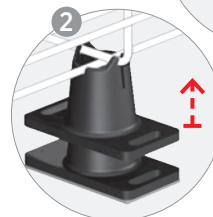
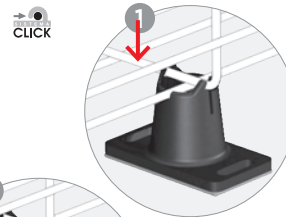
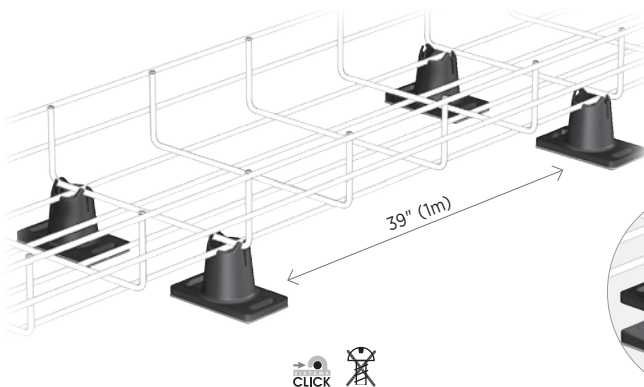
-  x1  $\varnothing$  26
-  x2
-  x1



- |   |   |
|---|---|
|  |  |
| 4-24 (100-600)  | 4   |
| $\varnothing$ 15  |   |



- |   |   |
|---|---|
|  |  |
| 4-24 (100-600)  | 4   |
| $\varnothing$ 15  |   |



Easy & Economical

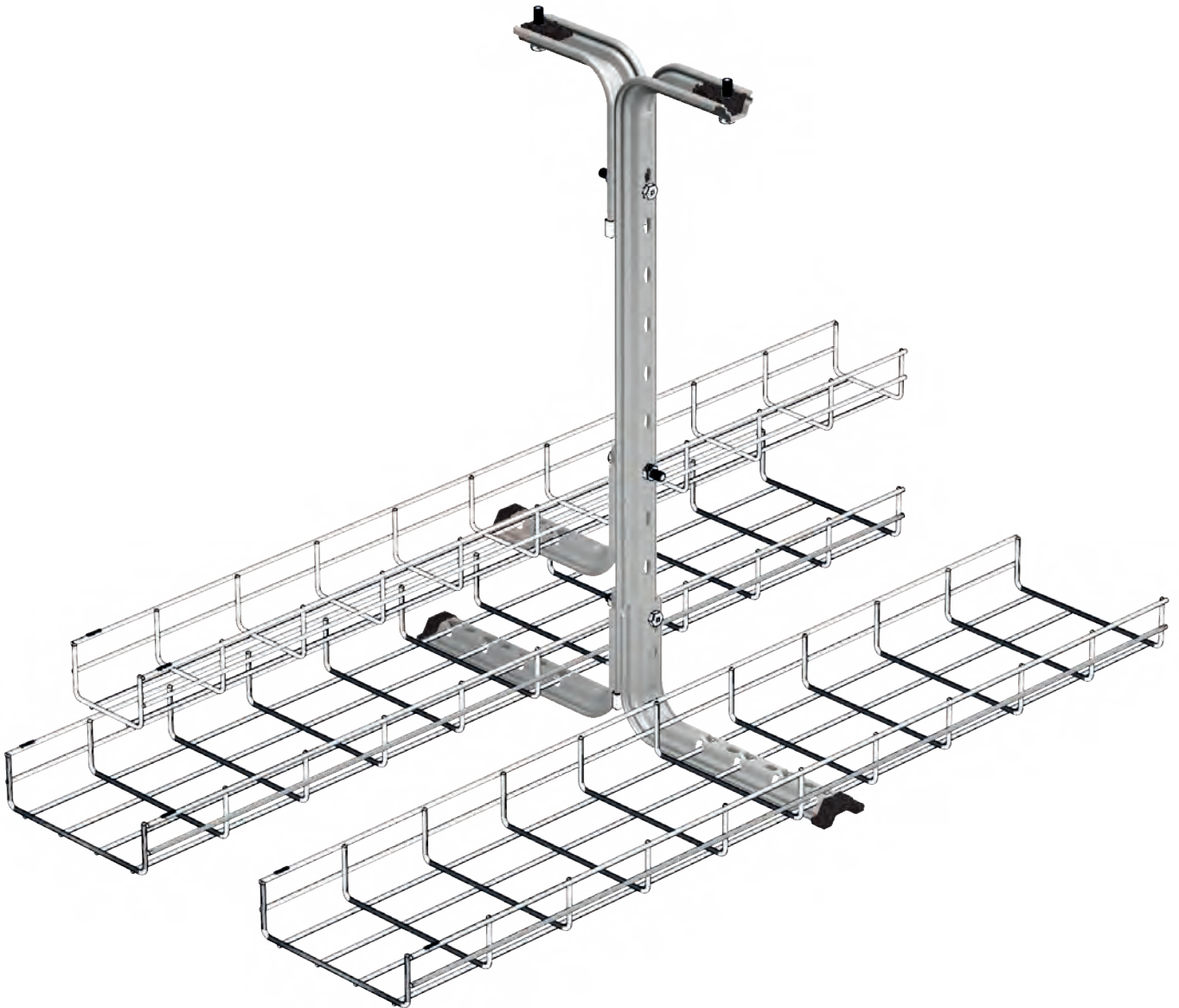
Use to support and elevate Tray below a raised floor.

Stackable in Two Levels

Creates a (7.5 cm) elevation

## Support **System**

Wide Range of Supports,  
Channels and Structures



CHATSWORTH PRODUCTS



Technical Information

Wall Support	
Horizontal	
	 CLICK
	110 lb (50 kg)
 CLICK	 CLICK
62 lb (28 kg)/132 lb (60 kg)	62 lb (28 kg)/132 lb (60 kg)
 CLICK	 CLICK
243 lb (110 kg)/540 lb (245 kg)	243 lb (110 kg)/540 lb (245 kg)
Reinforced supports with greater load-bearing capacity	
Vertical	
Universal System. Compatible for with all cable trays	
 CLICK	
	110 lb (50 kg)

Load Rating lb (kg).

Ceiling Support	
Horizontal	
With threaded rods	
353 lb (160 kg)	860 lb (390 kg)
22 lb (10 kg)	
Omega System	
40 lb (18 kg)/66 lb (30 kg)	441 lb (200 kg)
-	610 in-lb (7 kg-m)
-	520 in-lb (6 kg-m)
F	441 lb (200 kg)
Mf1	3,470 in-lb (40 kg-m*)
Mf2	1,300 in-lb (15 kg-m)

**F** Values obtained from test with a safety coefficient of 170% without ever reaching the collapse point. Guaranteed only for our hanger with security plug and supports reinforced with the Pensa® structural reinforcement.

**Mf** Values obtained in accordance with International Standard UNE-IEC 61537 (Section H) relating to the information for safe installation of trays with horizontal supports.

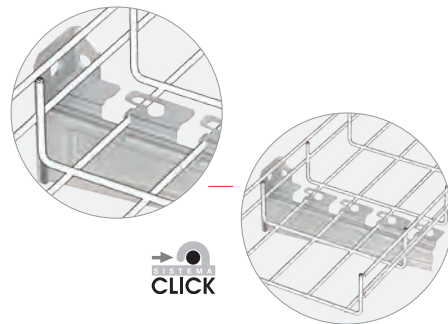
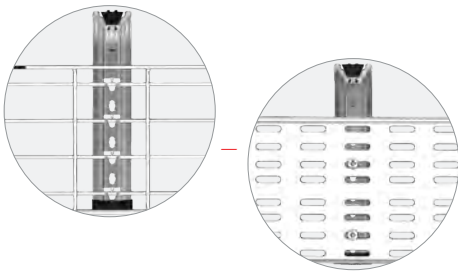
**Mf1** Bending moment 1: Resulting bending moment on ceiling plane.

**Mf2** Bending moment 2: Resulting bending moment from cantilever bracket.

For further information please contact CPI Technical Support.



## Advantages and features



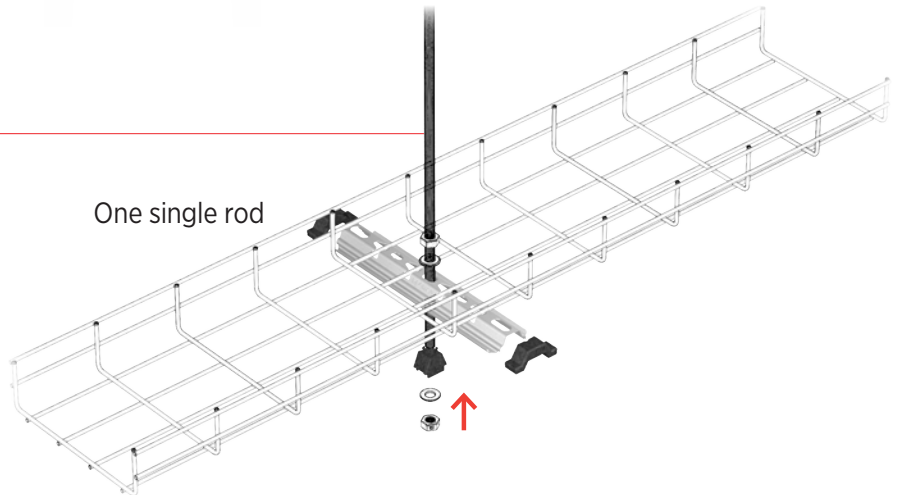
**CLICK**

Click System. No hardware required.

PG C8

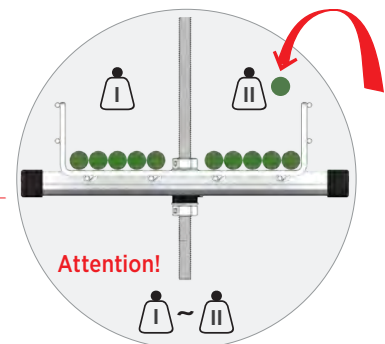
Pregalvanized or BLACK C8 finishes

One single rod



Unobstructed access to the side of the Tray

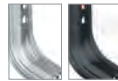
Even load on both sides



**Attention!**

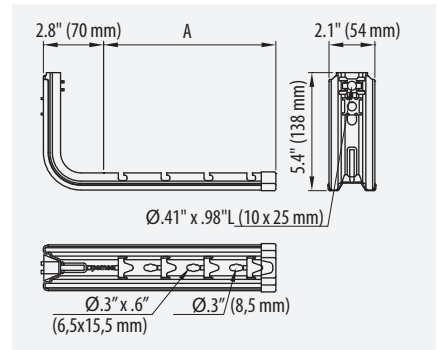


SPLUS Omega Bracket



in (mm)   4 - 16 (100-400)			
⊙	A	Ref	lb/kg
<b>PG</b>	4 (100)	62021104-005	3 (1.3)
	6 (150)	62021154-005	4 (1.8)
	8 (200)	62021204-005	5 (2.2)
	12 (300)	62021304-005	7 (3.1)
<b>C8</b>	4 (100)	62081104-005	3 (1.3)
	6 (150)	62081154-005	4 (1.8)
	8 (200)	62081204-005	5 (2.2)
	12 (300)	62081304-005	7 (3.1)
	16 (400)	62081404-005	8 (3.6)

Notes: Sold in packs of 5.  
For trays wider than 16" (400 mm), use a combination of pendant supports to create ceiling support (page 38).



↓CTA↓	lb (kg)	lb/kg
	4 (100)	132.2 (60)
	6 (150)	132.2 (60)
	8 (200)	132.2 (60)
	12 (300)	83.77 (38)
	16 (400)	61.72 (28)

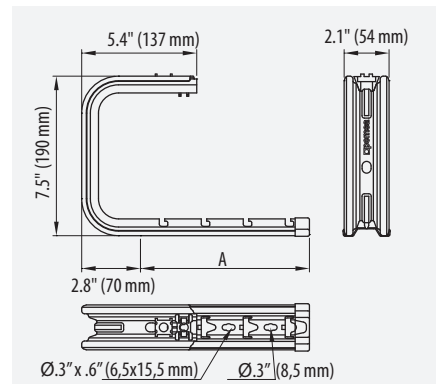
Note: CTA is maximum point load at 5' (1.5 m) span between supports.

SPLUS Omega Ceiling Bracket



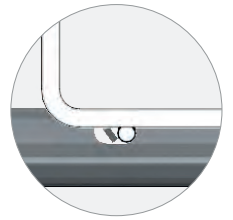
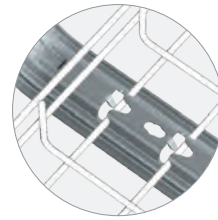
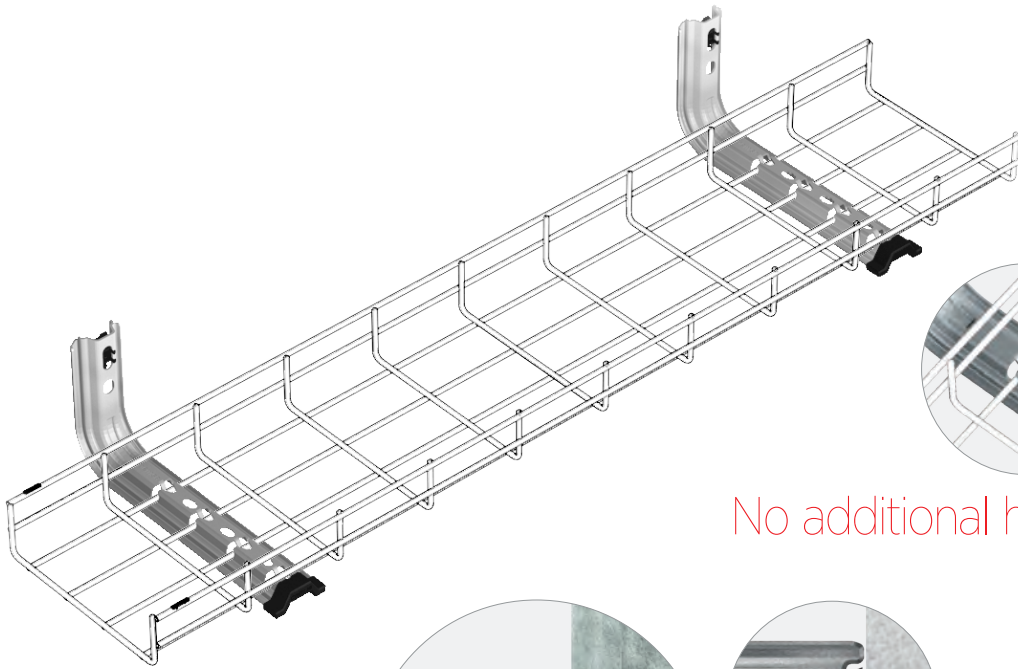
in (mm)   4 - 16 (100-400)			
⊙	A	Ref	lb/kg
<b>PG</b>	4 (100)	62022104-004	4 (1.8)
	6 (150)	62022154-004	5 (2.2)
	8 (200)	62022204-004	6 (2.7)
	12 (300)	62022304-004	7 (3.1)
<b>C8</b>	4 (100)	62082104-004	4 (1.8)
	6 (150)	62082154-004	5 (2.2)
	8 (200)	62082204-004	6 (2.7)
	12 (300)	62082304-004	7 (3.1)
	16 (400)	62082404-004	8 (3.6)

Notes: Sold in packs of 4.  
For trays wider than 16" (400 mm), use a combination of pendant supports to create ceiling support (page 38)

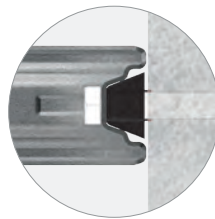
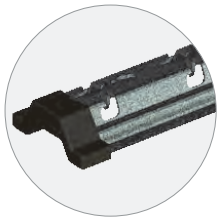


↓CTA↓	lb (kg)	lb/kg
	4 (100)	72.75 (33)
	6 (150)	79.36 (36)
	8 (200)	63.93 (29)
	12 (300)	55.11 (25)
	16 (400)	39.68 (18)

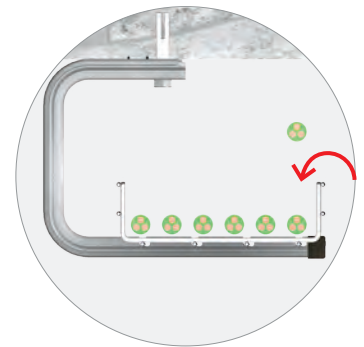
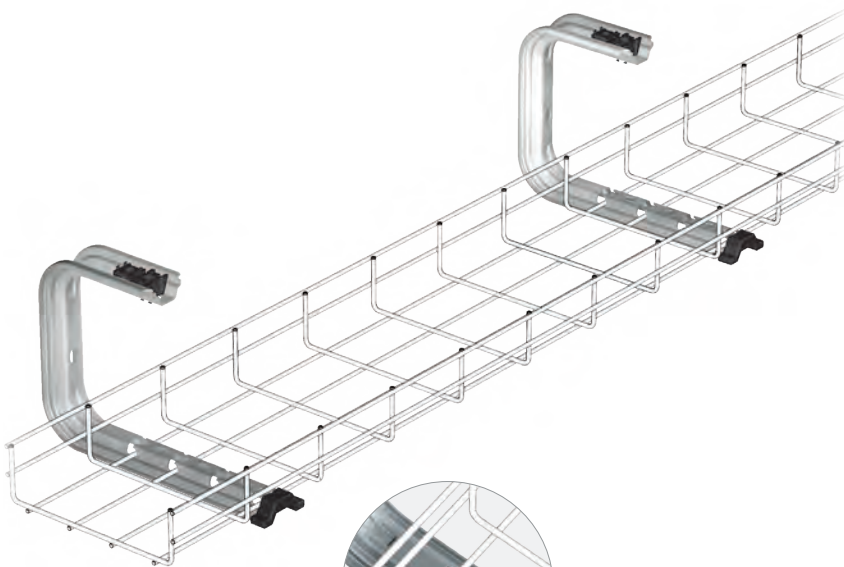
Note: CTA is maximum point load at 5' (1.5 m) span between supports



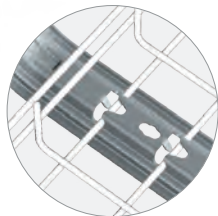
No additional hardware required.



Plastic Insert Guide acts as installation guide and prevents hardware from rotating.



Unobstructed access to the side of the Tray



No additional hardware required.

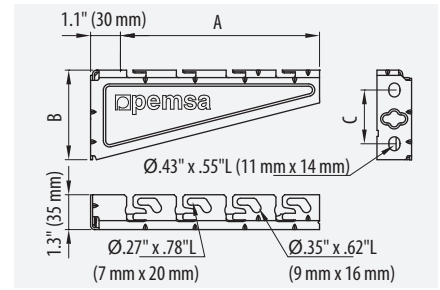


**RPLUS Medium Duty Cantilever Bracket**



		in (mm)			4 - 24 (100-600)	
Ⓢ	A	B	C	Ref	lb/kg	
<b>PG</b>	4 (100)			62025103-004	2 (0.9)	
	6 (150)	3.5	2.1	62025153-004	3 (1.3)	
	8 (200)	(90)	(54)	62025203-004	4 (1.8)	
	12 (300)			62025303-004	5 (2.2)	
	16 (400)	4.9	3.6	62025403-004	7 (3.1)	
	20 (500)	(126)	(92)	62025503-004	9 (4.0)	
	24 (600)			62025603-004	10 (4.5)	

Notes: Sold in packs of 4



CTA ↓ lb (kg)	Ⓢ	lb/kg
	4 (100)	595.2 (270)
	6 (150)	374.7 (170)
	8 (200)	396.8 (180)
	12 (300)	308.6 (140)
	16 (400)	396.8 (180)
	20 (500)	198.4 (90)
	24 (600)	264.5 (120)

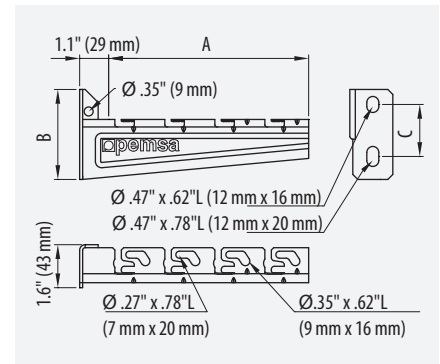
Note: CTA is maximum point load at 5' (1.5 m) span between supports

**RPLUS Medium Duty Cantilever Bracket**



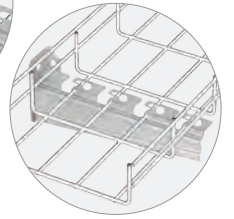
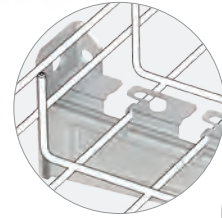
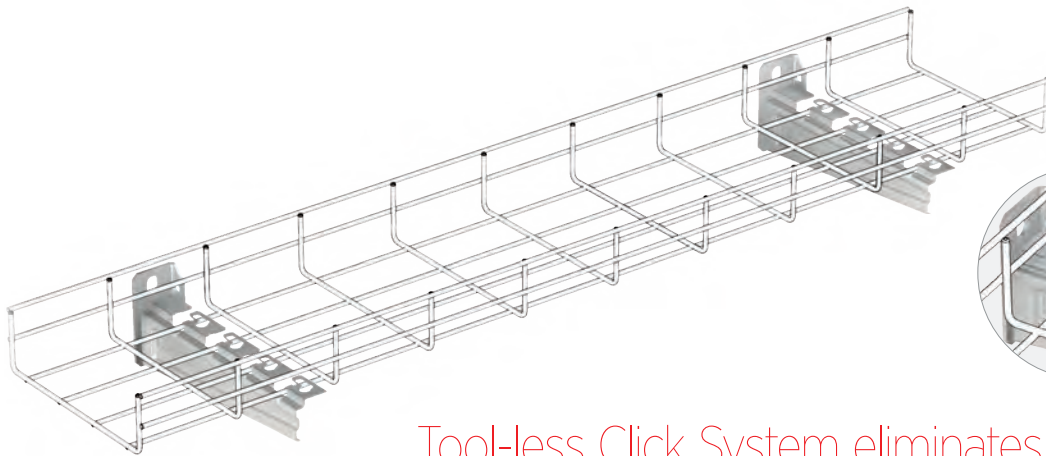
		in (mm)			4 - 24 (100-600)	
Ⓢ	A	B	C	Ref	lb/kg	
<b>C8</b>	4 (100)	3.5 (90)	2.0 (52)	62085103-004	2 (0.9)	
	6 (150)	3.5 (90)	2.0 (52)	62085153-004	3 (1.3)	
	8 (200)	3.5 (90)	2.0 (52)	62085203-004	3 (1.3)	
	12 (300)	3.5 (90)	2.0 (52)	62085303-004	4 (1.8)	
	16 (400)	4.6 (117)	3.1 (79)	62085403-004	7 (3.1)	
	20 (500)	4.6 (117)	3.1 (79)	62085503-004	8 (3.6)	
	24 (600)	4.6 (117)	3.1 (79)	62085603-004	10 (4.5)	

Notes: Sold in packs of 4.



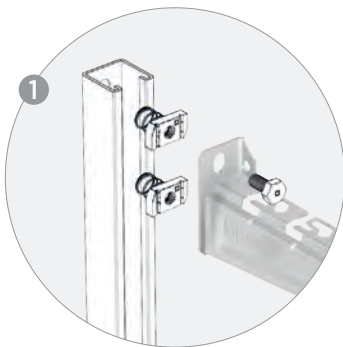
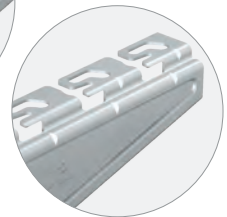
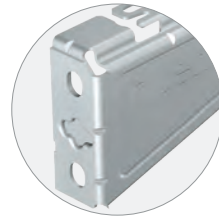
CTA ↓ lb (kg)	
A	lb/kg
	<b>C8</b>
4 (100)	496.0 (225)
6 (150)	540.1 (245)
8 (200)	418.8 (190)
12 (300)	242.5 (110)
16 (400)	540.1 (245)
20 (500)	202.8 (92)
24 (600)	242.5 (110)

Note: CTA is maximum point load at 5' (1.5 m) span between supports

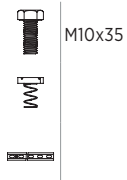


Tool-less Click System eliminates the need for installation hardware.

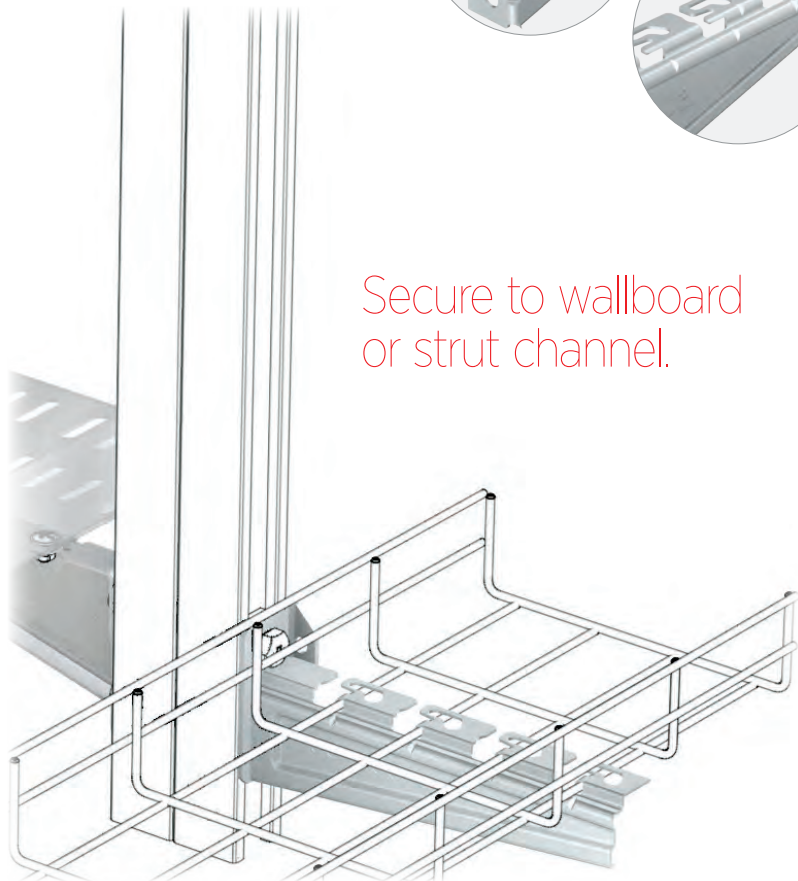
Reinforced Design



1



M10x35



Secure to wallboard or strut channel.



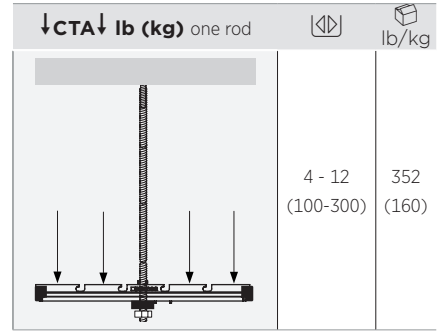
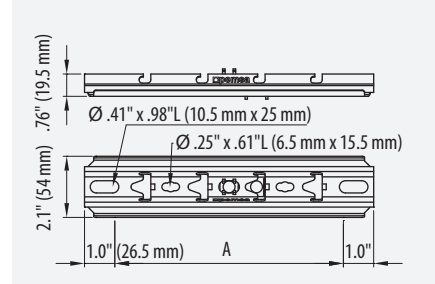


SPLUS Omega Channel

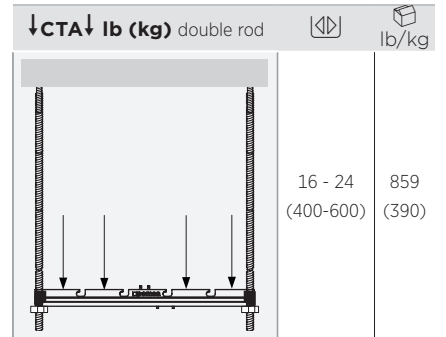


in (mm)			
⊕ 2 - 4 (60, 100)			
⊕ 4 - 24 (100-600)			
⊕	A	Ref	lb/kg
<b>PG</b>	4 (100)	63022104-010	3 (1.3)
	6 (150)	63022154-010	4 (1.8)
	8 (200)	63022204-010	5 (2.2)
	12 (300)	63022304-010	7 (3.1)
	16 (400)	63022404-010	9 (4.0)
	20 (500)	63022504-010	11 (4.9)
<b>C8</b>	24 (600)	63022604-010	13 (5.8)
	4 (100)	63082104-010	4 (1.8)
	6 (150)	63082154-010	6 (2.7)
	8 (200)	63082204-010	8 (3.6)
	12 (300)	63082304-010	8 (3.6)
	16 (400)	63082404-010	12 (5.4)
20 (500)	63082504-010	12 (5.4)	
24 (600)	63082604-010	14 (6.3)	

Notes: Sold in packs of 10.



Place even loads both sides.

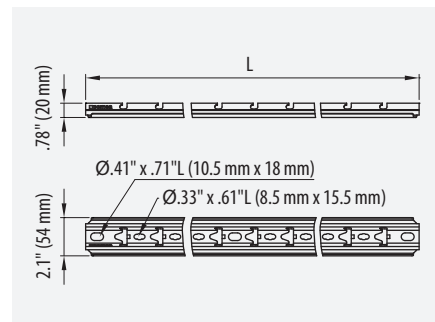


SPLUS Omega Channel

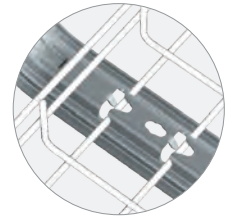
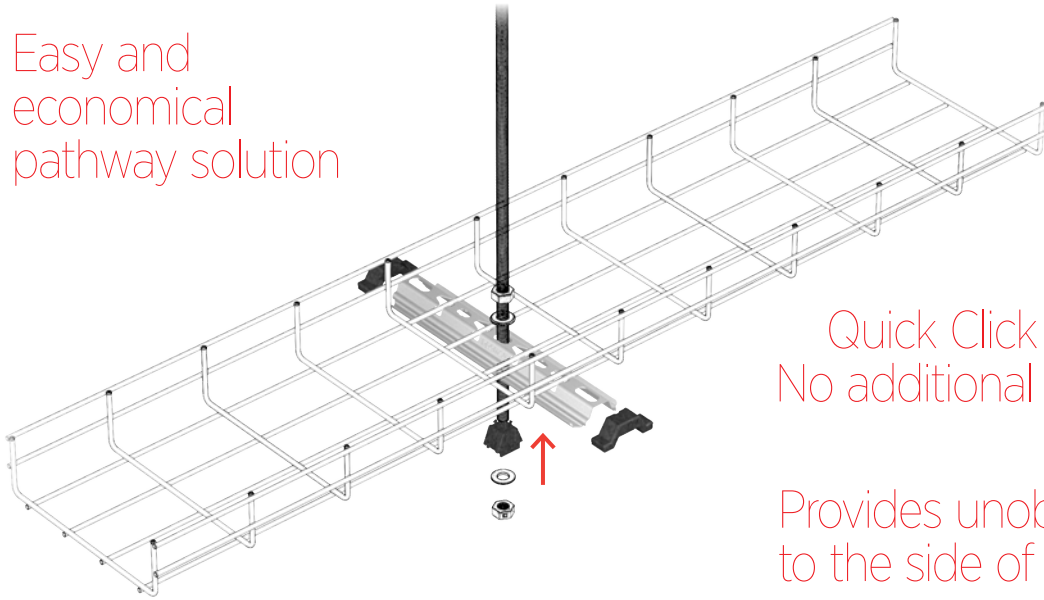


in (mm)			
⊕ 2 - 4 (60, 100)			
⊕ 4 - 24 (100-600)			
⊕	L	Ref	lb/kg
<b>PG</b>	3.2' (1 m)	67020110-001	3 (1.3)
	9.8' (3 m)	67020112-001	8 (3.6)

Note: Sold individually.

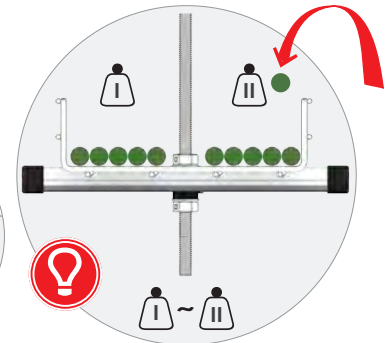
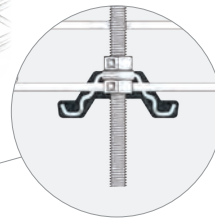
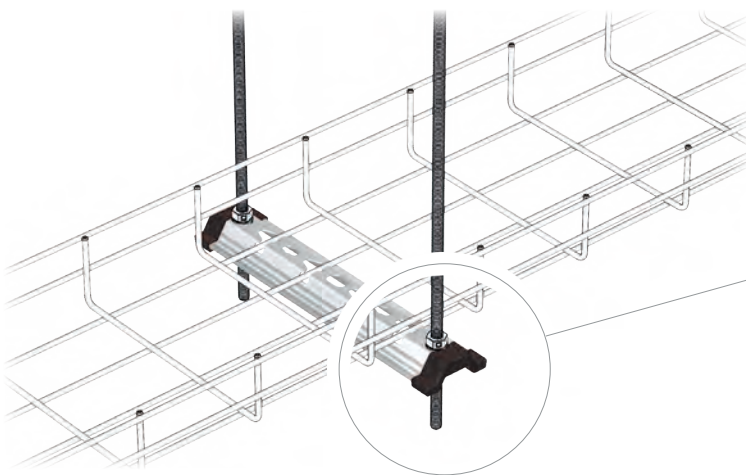


Easy and economical pathway solution

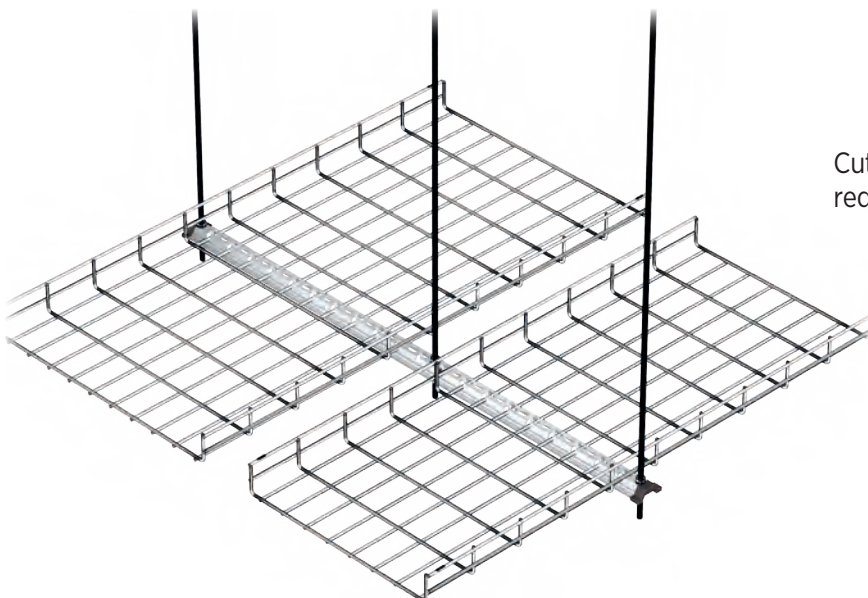


Quick Click System  
No additional hardware required.

Provides unobstructed access to the side of the Tray.



When supporting from a center rod, load both trays evenly per side.



Cut the channel to length per requirements.

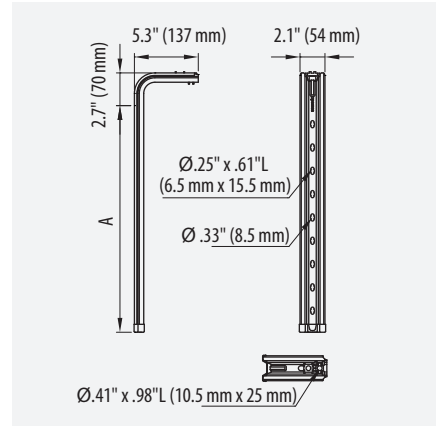


**SPLUS Omega Pendant**



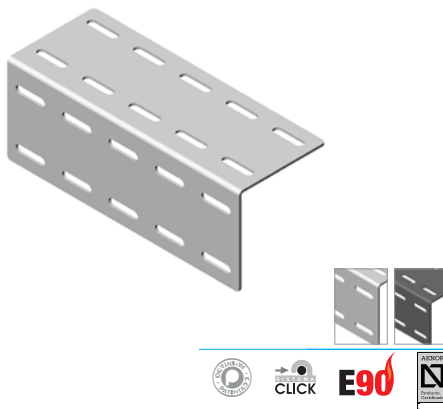
in (mm) $\left\langle \right\rangle$ 2 - 4 (60, 100) 4 - 24 (100-600)			
$\text{\textcircled{F}}$	A	Ref	lb/kg
<b>GS</b>	20 (500)	62021504-005	9 (4.0)
	24 (600)	62021604-005	11 (4.9)
<b>C8</b>	20 (500)	62081504-005	9 (4.0)
	24 (600)	62081604-005	11 (4.9)

Notes: Sold in packs of 5.



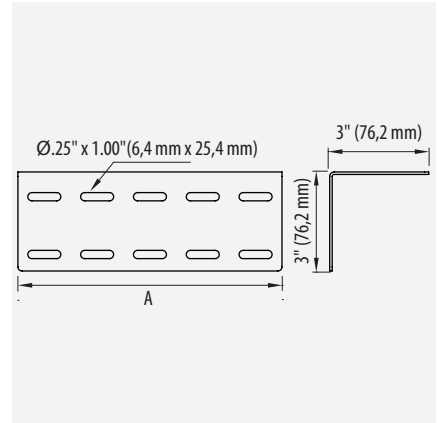
<b>CTA (kg)</b>	$\left\langle \right\rangle$	$\text{\textcircled{F}}$	lb/kg	Mf1	Mf2
				lb.in	lb.in
<b>GS</b>					
		20 (500)	661 (300)	695 (8)	610 (7)
			24 (600)	772 (350)	870 (10)
<b>C8</b>					
		20 (500)	595 (270)	950 (11)	870 (10)
			24 (600)	617 (280)	950 (11)

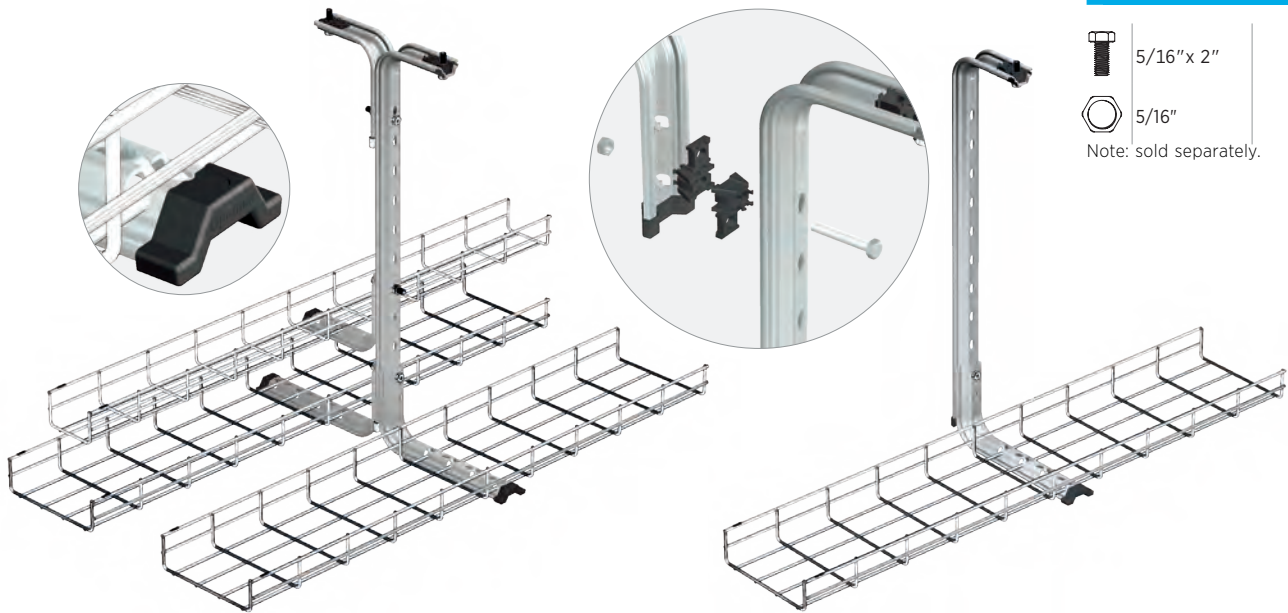
**Wall Angle Support Kit**



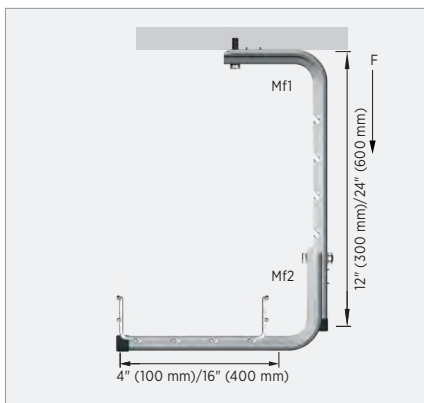
in (mm) $\left\langle \right\rangle$ 4 - 24 (100-600)			
$\text{\textcircled{F}}$	A	Ref	lb/kg
<b>Silver*</b>	4" (100)	60501-504	1.4 (0.6)
	6" (150)	60501-506	1.5 (0.7)
	8" (200)	60501-508	1.9 (0.9)
	12" (300)	60501-512	2.2 (1)
	18" (450)	60501-518	4 (1.8)
	24" (600)	60501-524	4.7 (2.1)
<b>Black*</b>	4" (100)	60501-704	1.4 (0.6)
	6" (150)	60501-706	1.5 (0.7)
	8" (200)	60501-708	1.9 (0.9)
	12" (300)	60501-712	2.2 (1)
	18" (450)	60501-718	4 (1.8)
	24" (600)	60501-724	4.7 (2.1)

Note: Painted finish matches tray finish (EZ or C8).

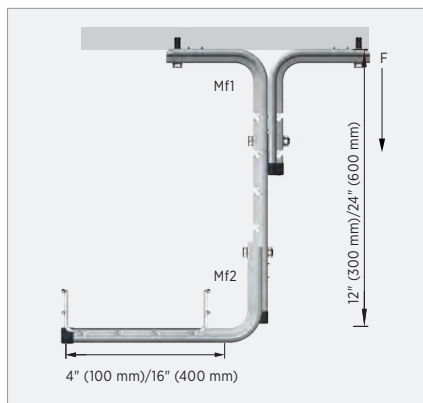




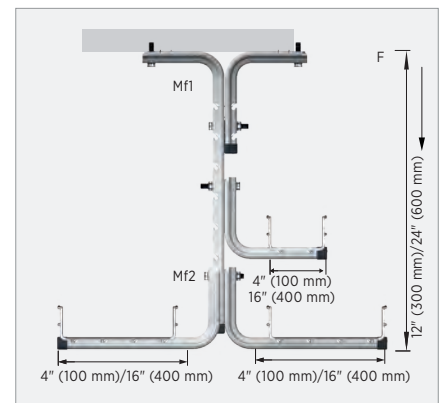
5/16" x 2"  
5/16"  
Note: sold separately.



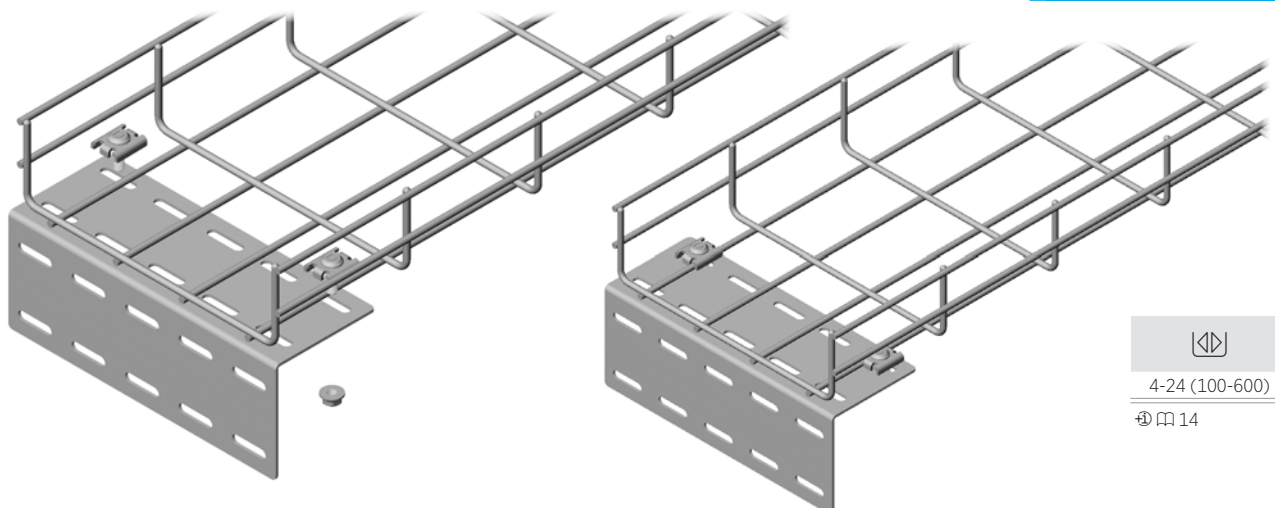
PG	
F	440 lb (200 kg)
Mf1	610 in-lb (7 kg-m)
Mf2	520 in-lb (6 kg-m)



PG	
F	727 lb (330 kg)
Mf1	3,470 in-lb (40 kg-m)
Mf2	1,300 in-lb (15 kg-m)














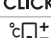
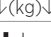
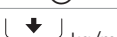




















PG	
F	727 lb (330 kg)
Mf1	3,470 in-lb (40 kg-m)
Mf2	1,300 in-lb (15 kg-m)



4-24 (100-600)	2
Ⓜ 14	

## Symbols and Definitions

Icon	Description	Icon	Description
<b>General</b>			
 xx	Go to page		More information
in (mm)	Inches (millimeters)		Packaging
lb/kg	Weight: pound / kilogram		Raw material
Ref.	Product reference number		Width
	Height - flange		Length
mm <sup>2</sup>	Useful section		Patented Pensa
	Electrical Continuity guaranteed per IEC 61537		Assembly time (seconds)
	No screws		Quick click joint system
	Safe working load		Working temperature range
 kg/m	Medium duty loads kg/m		Light duty loads kg/m
	Impact strength		Heavy duty loads kg/m
L (ft)	Span distance in feet		Fire resistance
<b>Finishes</b>			
<b>EZ</b>	Electrogalvanised EN ISO 2081	<b>Painted, Metallic Gray</b>	
<b>BLACK C8</b>	High resistance coating class C8 IEC 61537	<b>Painted, Black</b>	
<b>PG</b>	Pregalvanised EN 10346	<b>Painted, Glacier White</b>	
<b>Approvals</b>			
	Cable trays international standard IEC 61537		UL Certified approval
	AENOR N Mark		Acc. to NEMA VE-1 standard
	Acc. to directive 2006/95 CE		E90 fire resistance test acc. to DIN 4102-12 standard
	Compliance with directive RoHS 2002/95/CE		
<b>Product Solutions</b>			
	Buildings		Food industry
	IT / Data centers		Pharmaceutical
	Photovoltaic / Energy		Renewable energies
	Tunnels		Petrochemical industry

**reji****band**<sup>®</sup>  
wire mesh tray



CHATSWORTH PRODUCTS

 **pemsa**



CHATSWORTH PRODUCTS



**Customer Service &  
Technical Support**

US & Canada  
+1-800-834-4969  
Outside of US & Canada  
+1-818-739-3400

**Global offices:**

Canada  
Toronto, Ontario, Canada  
+905-850-7770

Latin America  
Mexico City, Mexico  
+52-55-5203-7525  
Toll Free within Mexico  
01-800-01-7592

Europe  
Buckinghamshire, England,  
United Kingdom  
+44-1628-524-834

Middle East & Africa  
Dubai, United Arab Emirates  
+971-4-260215

[www.chatsworth.com](http://www.chatsworth.com)  
[techsupport@chatsworth.com](mailto:techsupport@chatsworth.com)

©2019 Chatsworth Products  
03/19 MKT-60020-710